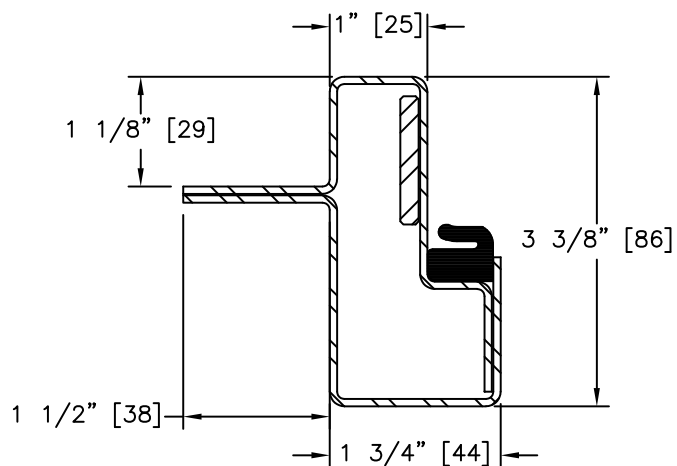
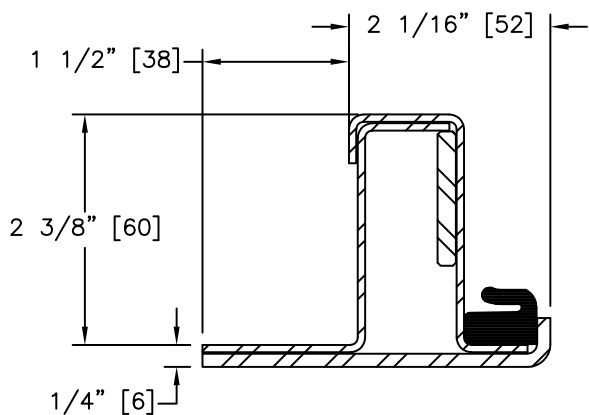


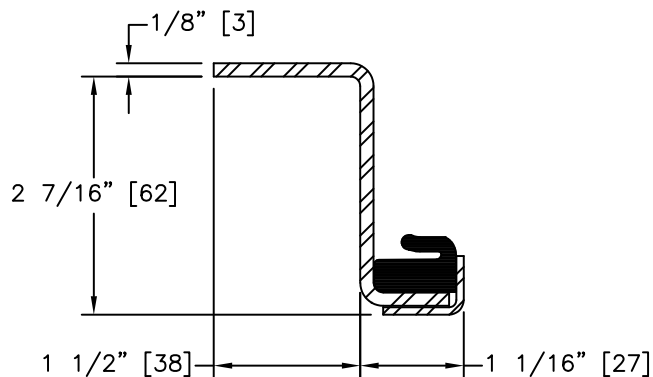
TYPE 1 FRAME



TYPE 2 FRAME



TYPE 3 FRAME



TYPE 4 FRAME



TYPE 5 FRAME

GENERAL NOTES:

- 1) SPECIFY SILL MATERIAL – COLD ROLLED STEEL, STAINLESS STEEL OR ALUMINUM.
- 2) TYPE "B" SILL FLANGES TO BE UNDRILLED.
- 3) ALL DIMENSIONS AND DETAILS MAY BE MODIFIED TO FIT VARIOUS INSTALLATIONS.