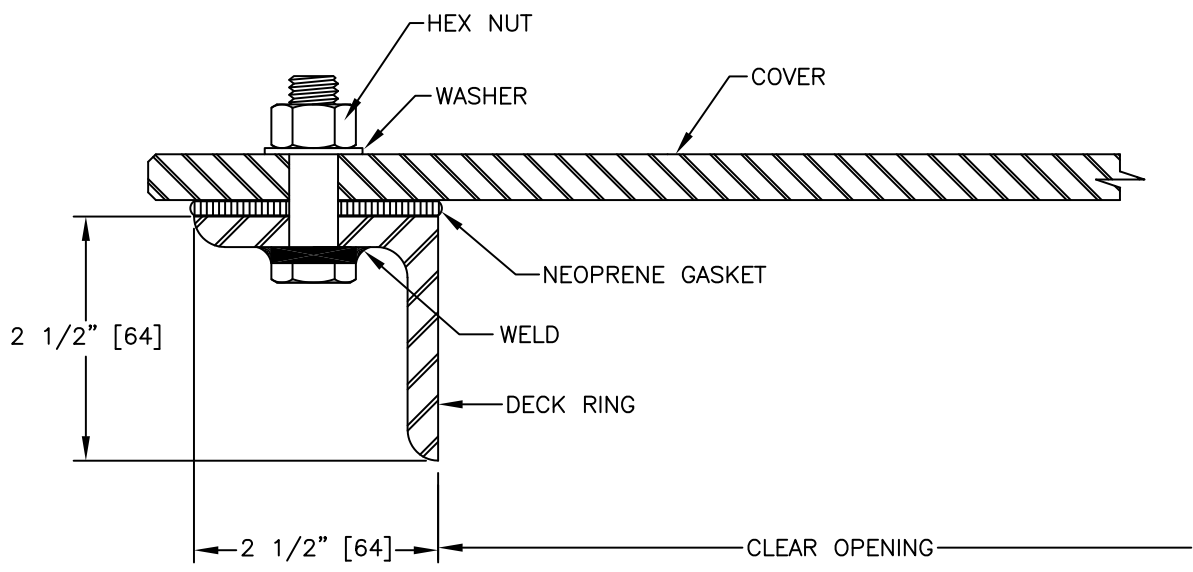
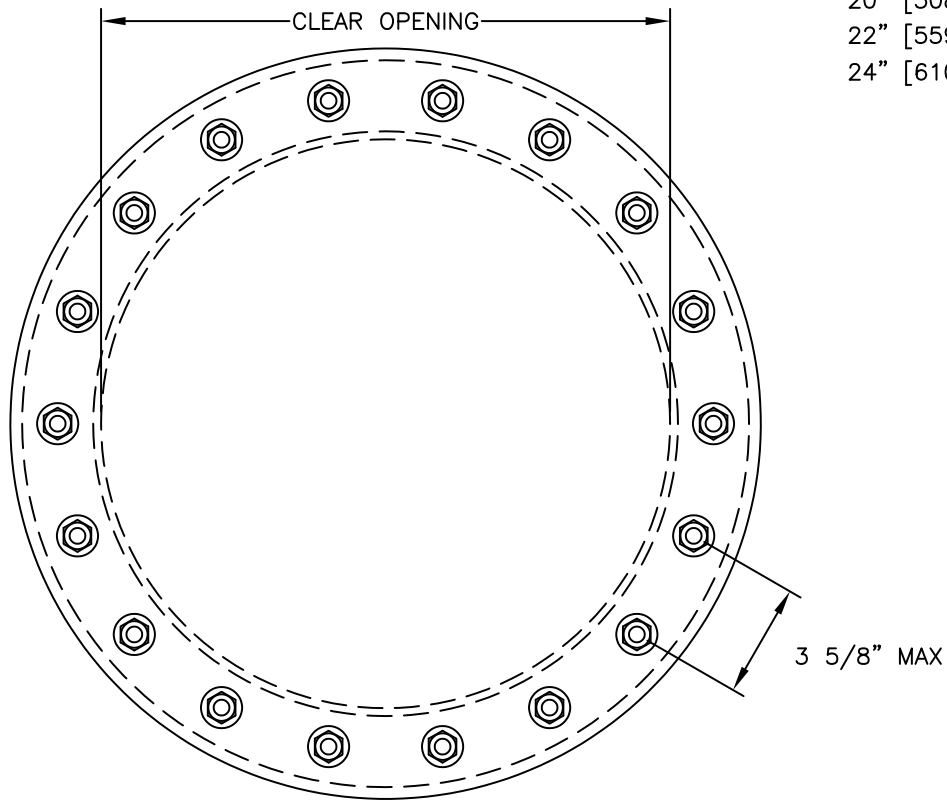


STANDARD CLEAR OPENINGS

- 18" [457]
- 20" [508]
- 22" [559]
- 24" [610]



SPECIFY ALUMINUM, STEEL, OR STAINLESS STEEL CONSTRUCTION.



TITLE:
RAISED BOLTED PLATE
ROUND MANHOLE

MODEL NO. PCM-5014-H
SCALE: NONE SHEET: 1 OF: 1

REV
—