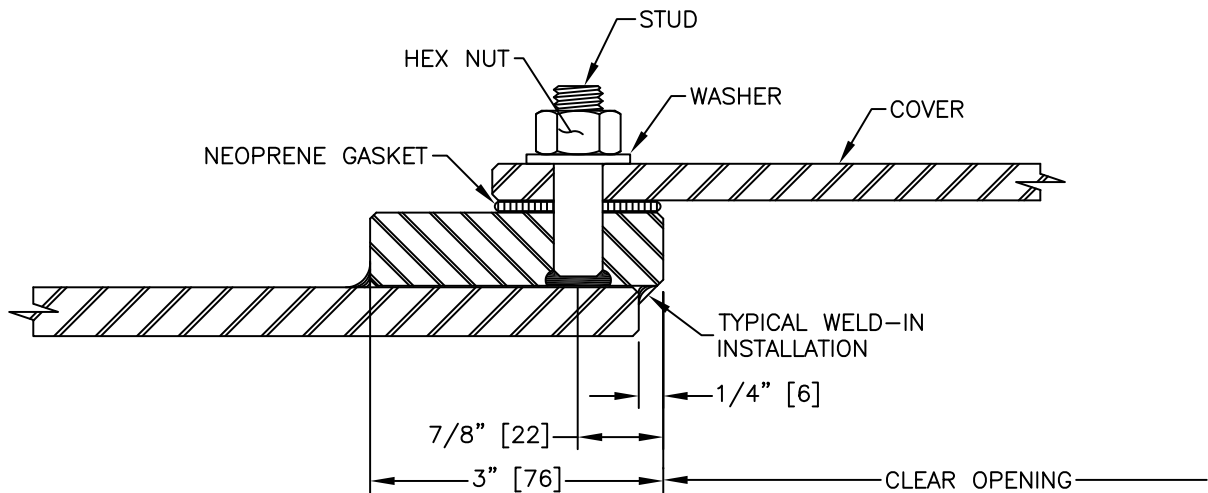
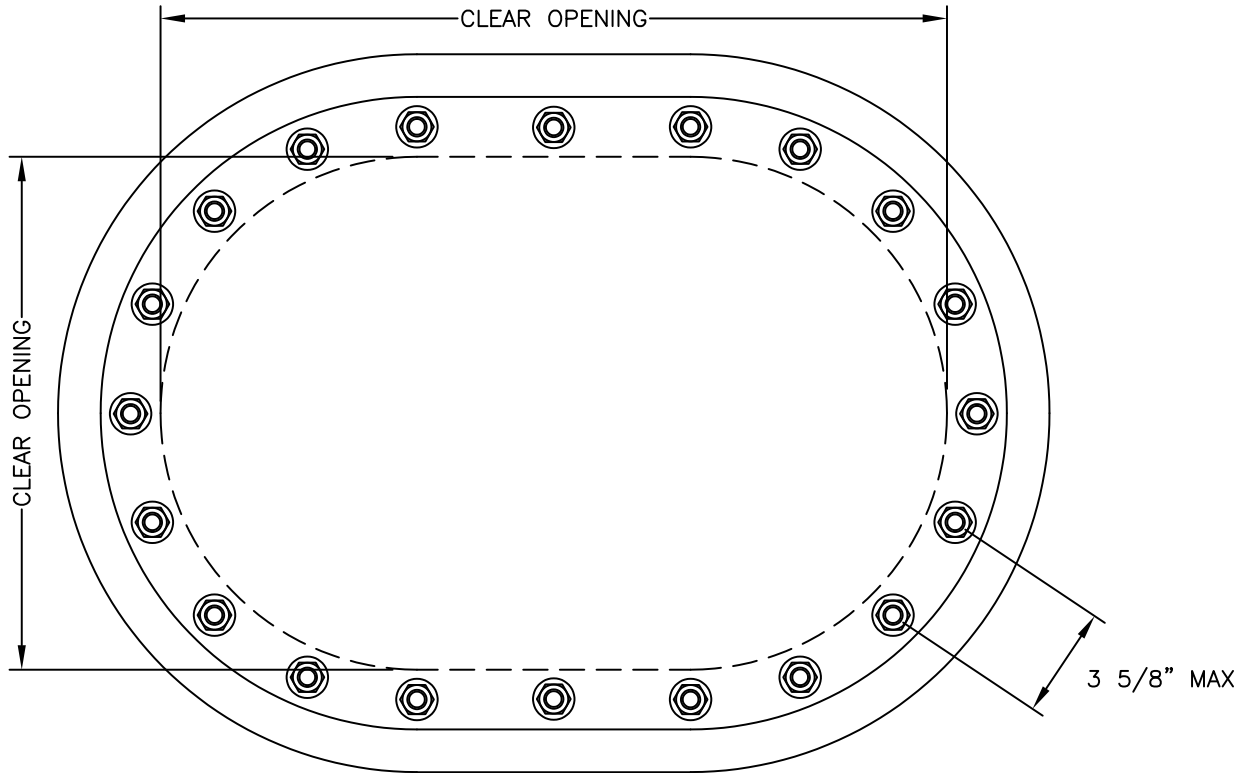


STANDARD CLEAR OPENINGS

- 15" X 23" [381 X 584]
- 18" X 24" [457 X 610]



SPECIFY ALUMINUM, STEEL, OR STAINLESS STEEL CONSTRUCTION.



TITLE: BOLTED PLATE MANHOLE COVER

MODEL NO. PCM-5015-H

SCALE: NONE SHEET: 1 OF: 1

REV —