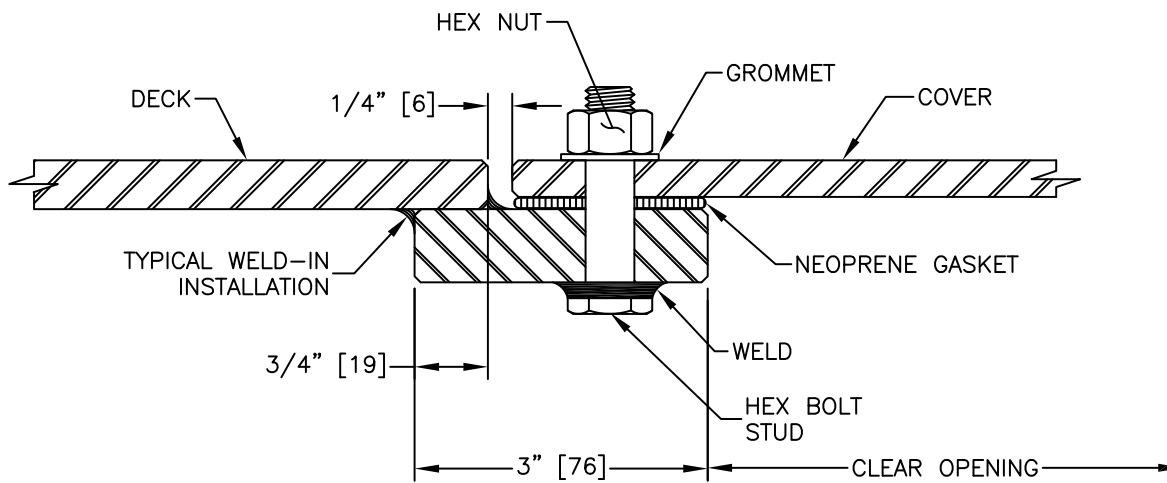
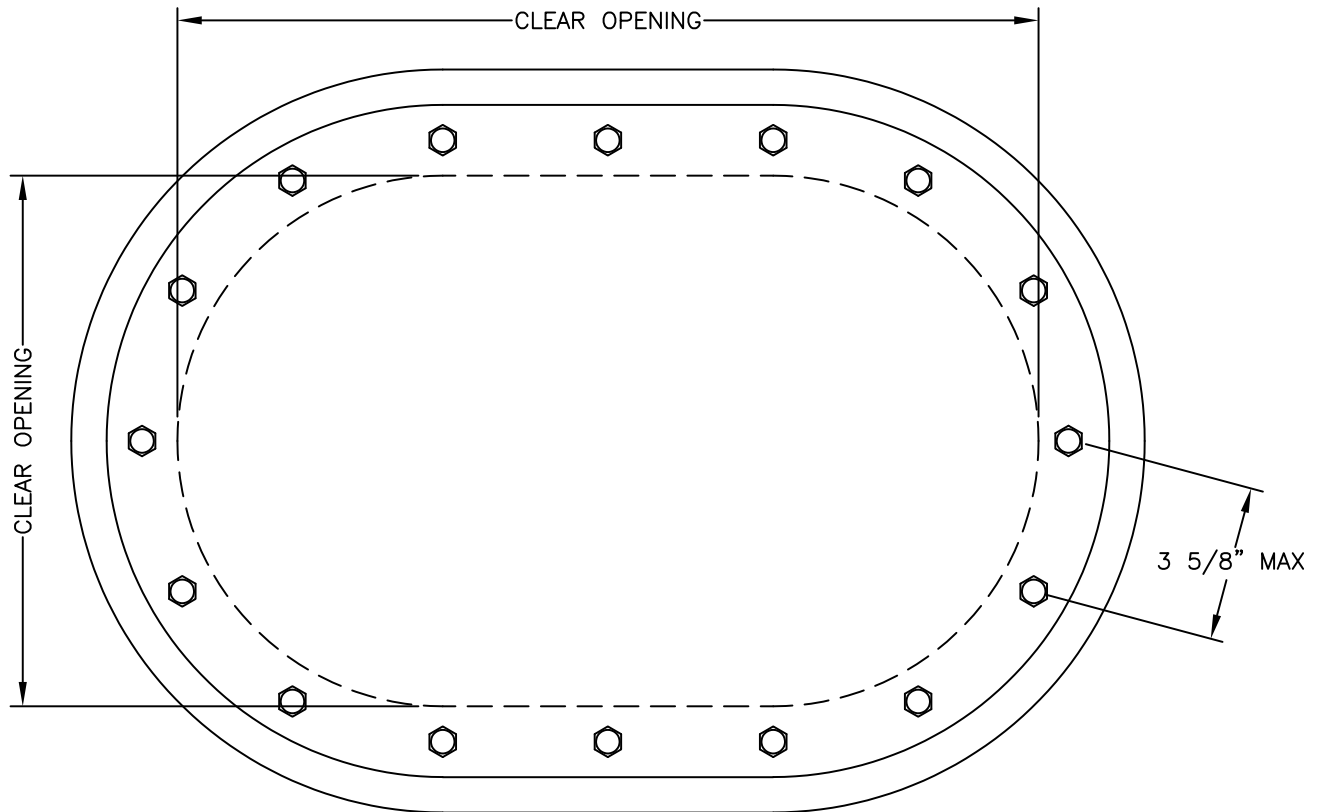


STANDARD CLEAR OPENINGS

15" X 23" [381 X 584]  
 18" X 24" [457 X 610]



SPECIFY ALUMINUM, STEEL, OR STAINLESS STEEL CONSTRUCTION.



TITLE: WATERTIGHT  
 MANHOLE COVER

MODEL NO. PCM-5016-H

SCALE: NONE SHEET: 1 OF: 1

REV  
 —