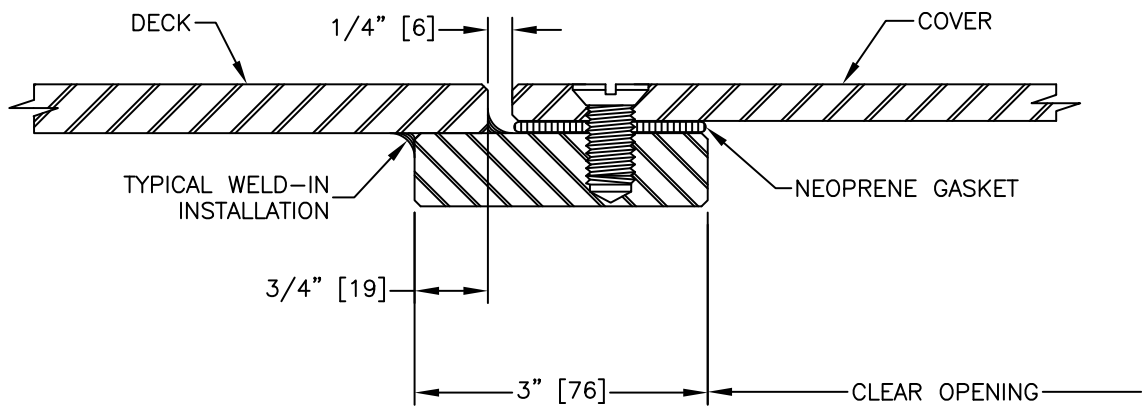
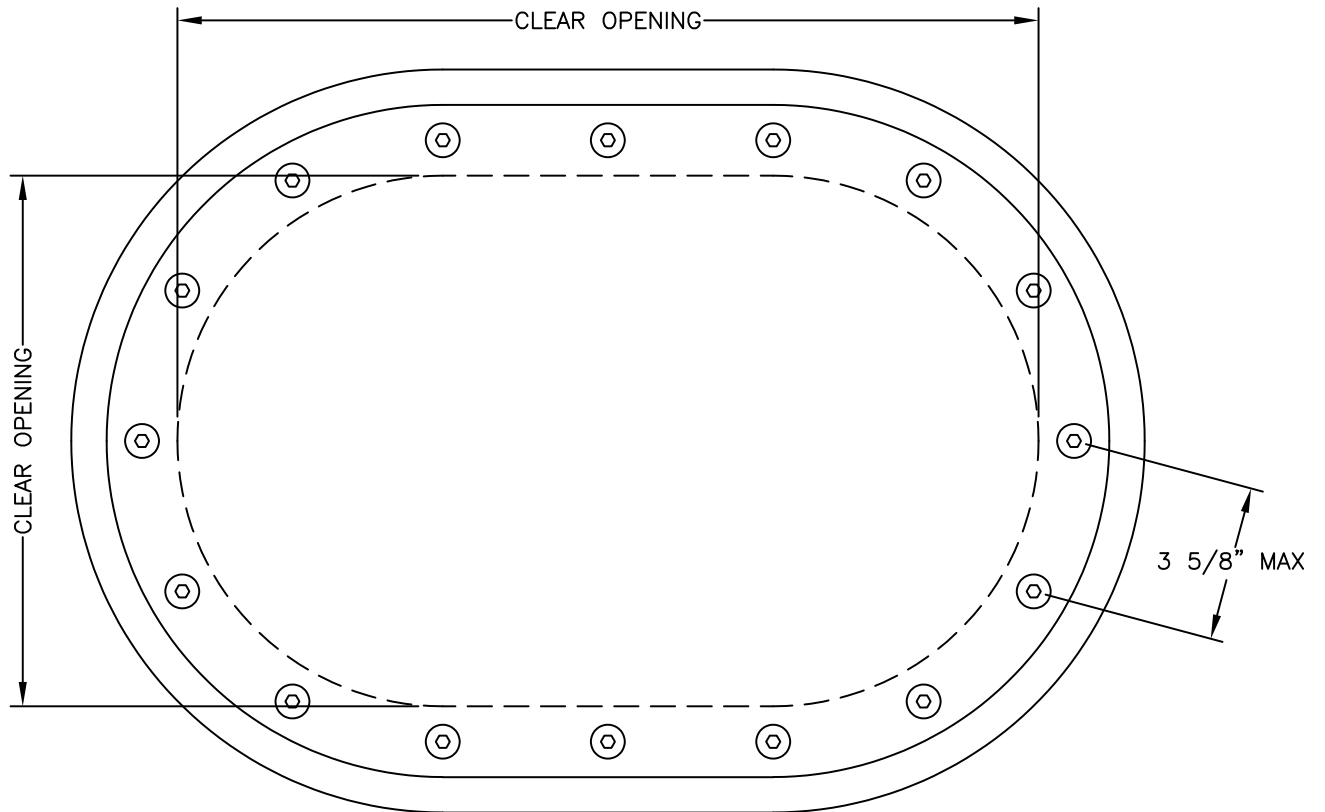


STANDARD CLEAR
OPENINGS
15" X 23" [381 X 584]



SPECIFY ALUMINUM, STEEL, OR STAINLESS STEEL CONSTRUCTION.