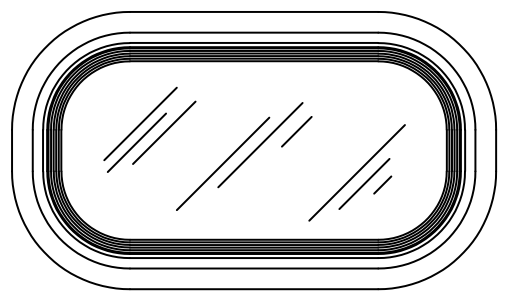
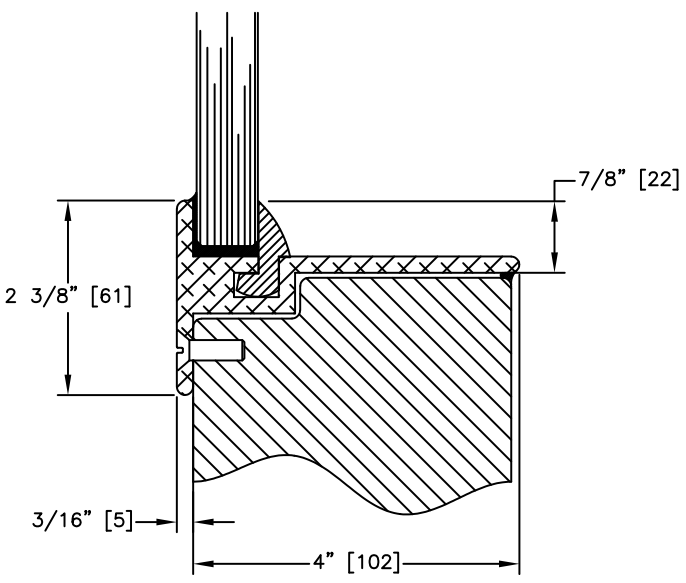
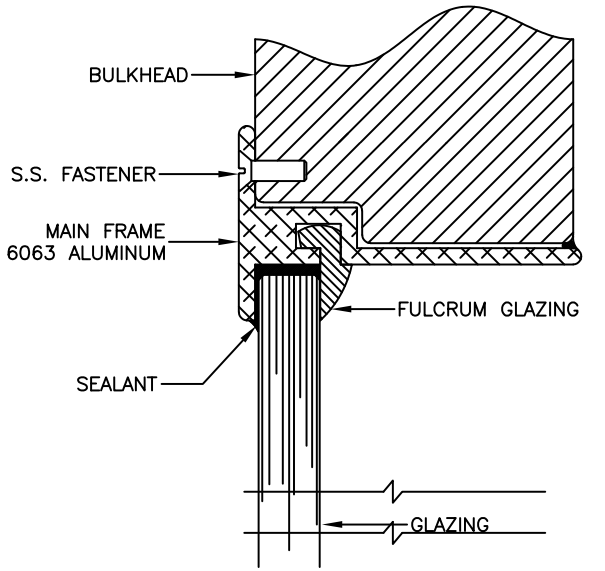


INSTALLATION	
•	WELD IN
•	BOLT IN
	STANDARD CLAMP IN
	CONCEALED CLAMP IN



GLAZING THICKNESS RANGE FROM 1/2" [13mm] TO 13/16" [21mm].