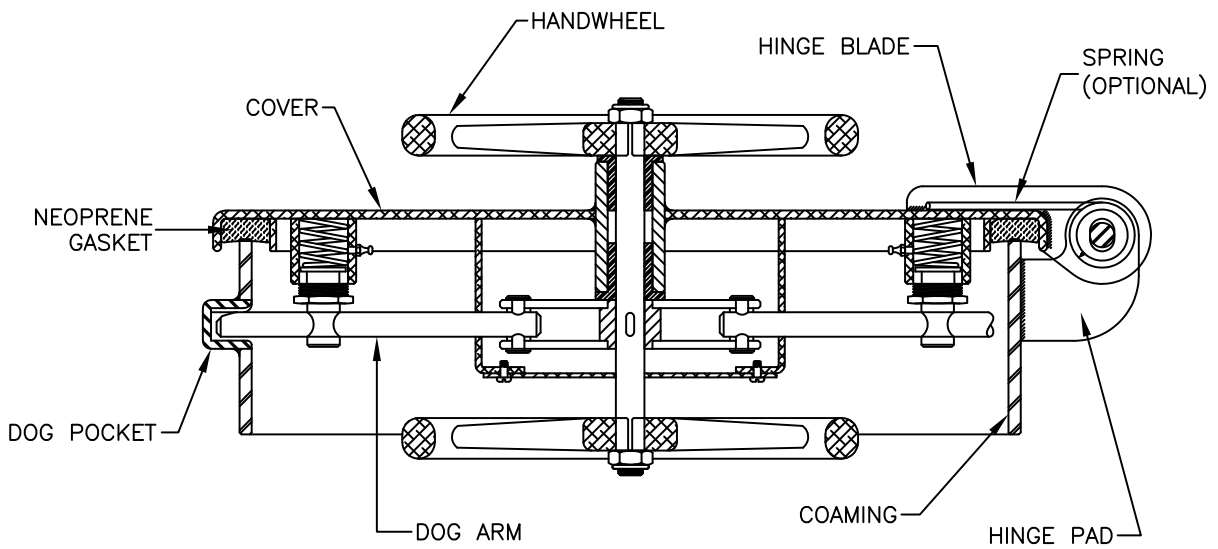


HASP & EYE



SPECIFY ALUMINUM, STEEL, OR STAINLESS STEEL CONSTRUCTION.



TITLE:  
RAISED COAMING  
WATERTIGHT SCUTTLE

MODEL NO. PCM-5033-H

SCALE: NONE SHEET: 1 OF: 1

REV

—