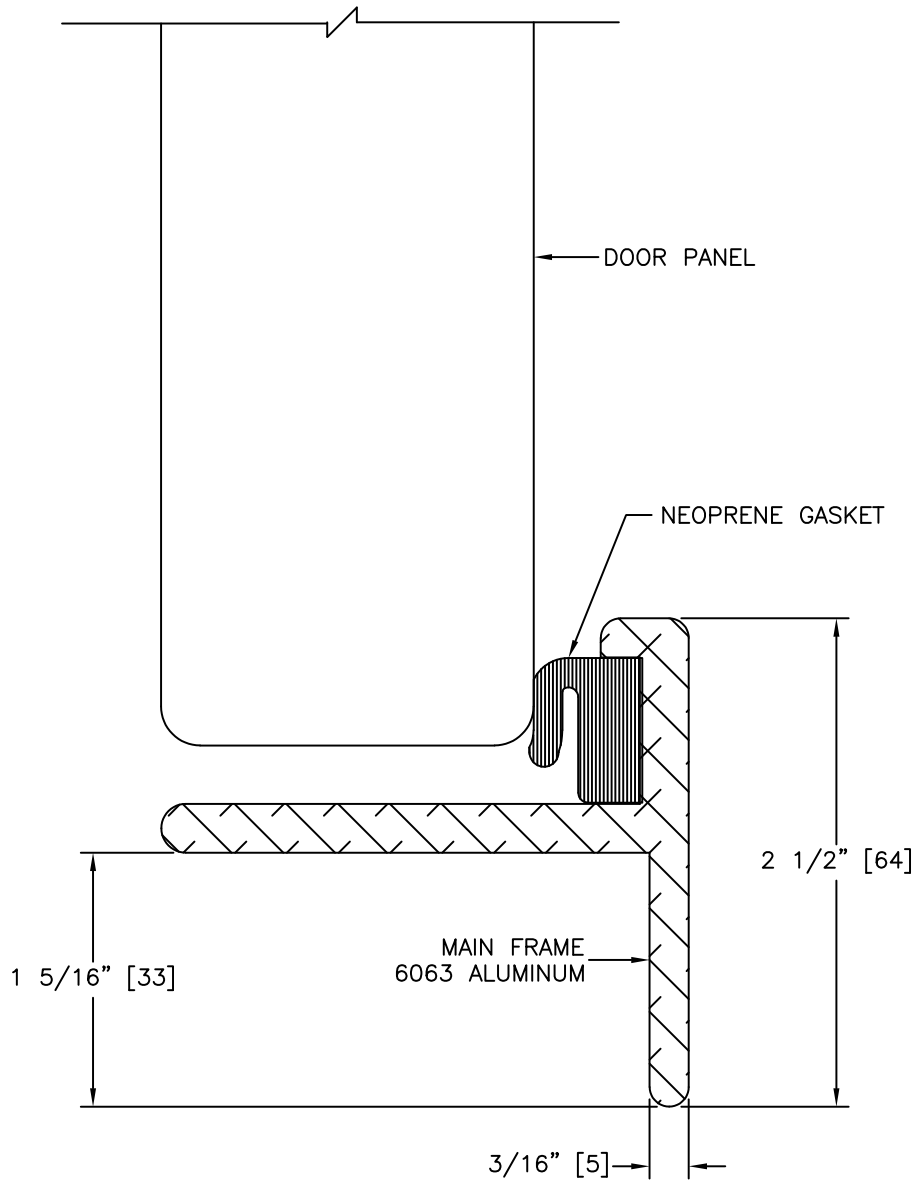


INSTALLATION

	WELD IN
•	BOLT IN
	STANDARD CLAMP IN
	CONCEALED CLAMP IN

EXTERIOR →



STANDARD PLATE CUT RADIUS IS 4 1/8" [105].



TITLE:
INWARD OPENING
DOOR FRAME

MODEL NO. PCM-__-__-10

REV

SCALE: FULL SIZE SHEET: 1 OF: 1