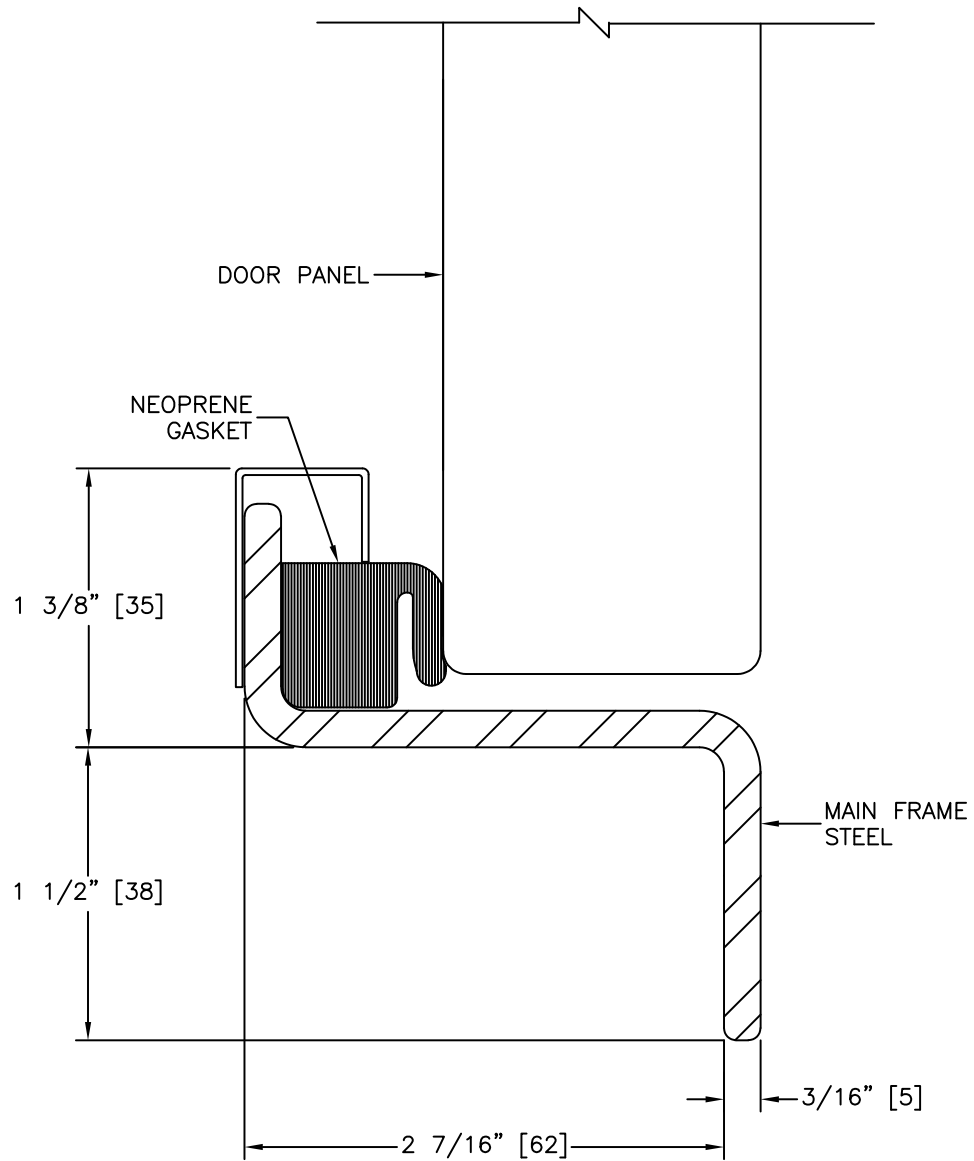


INSTALLATION

	WELD IN
•	BOLT IN
	STANDARD CLAMP IN
	CONCEALED CLAMP IN



STANDARD PLATE CUT RADIUS IS 4 1/8" [105] AND 6 1/8" [155].



TITLE:
STEEL BOLT-IN
DOOR FRAME

MODEL NO. PCM-__-__-22

REV

SCALE: FULL SIZE SHEET: 1 OF: 1