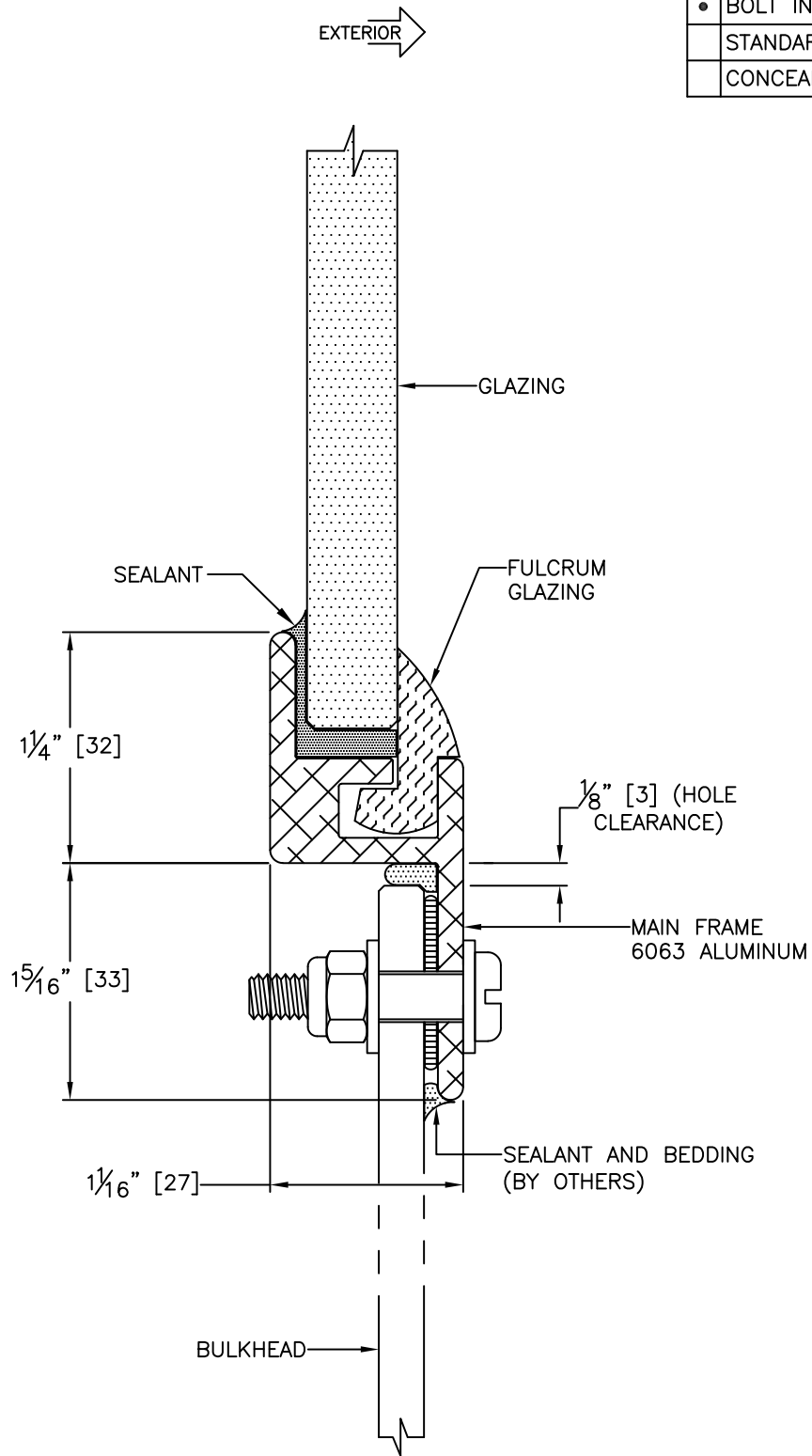


INSTALLATION

	WELD IN
•	BOLT IN
	STANDARD CLAMP IN
	CONCEALED CLAMP IN



GLAZING THICKNESS RANGES FROM 1/4" [6] TO 1/2" [13mm]
 STANDARD PLATE CUT RADIUS IS 2 5/8" [67], 3 1/8" [79], 3 5/8" [92], AND 4 1/8" [105].