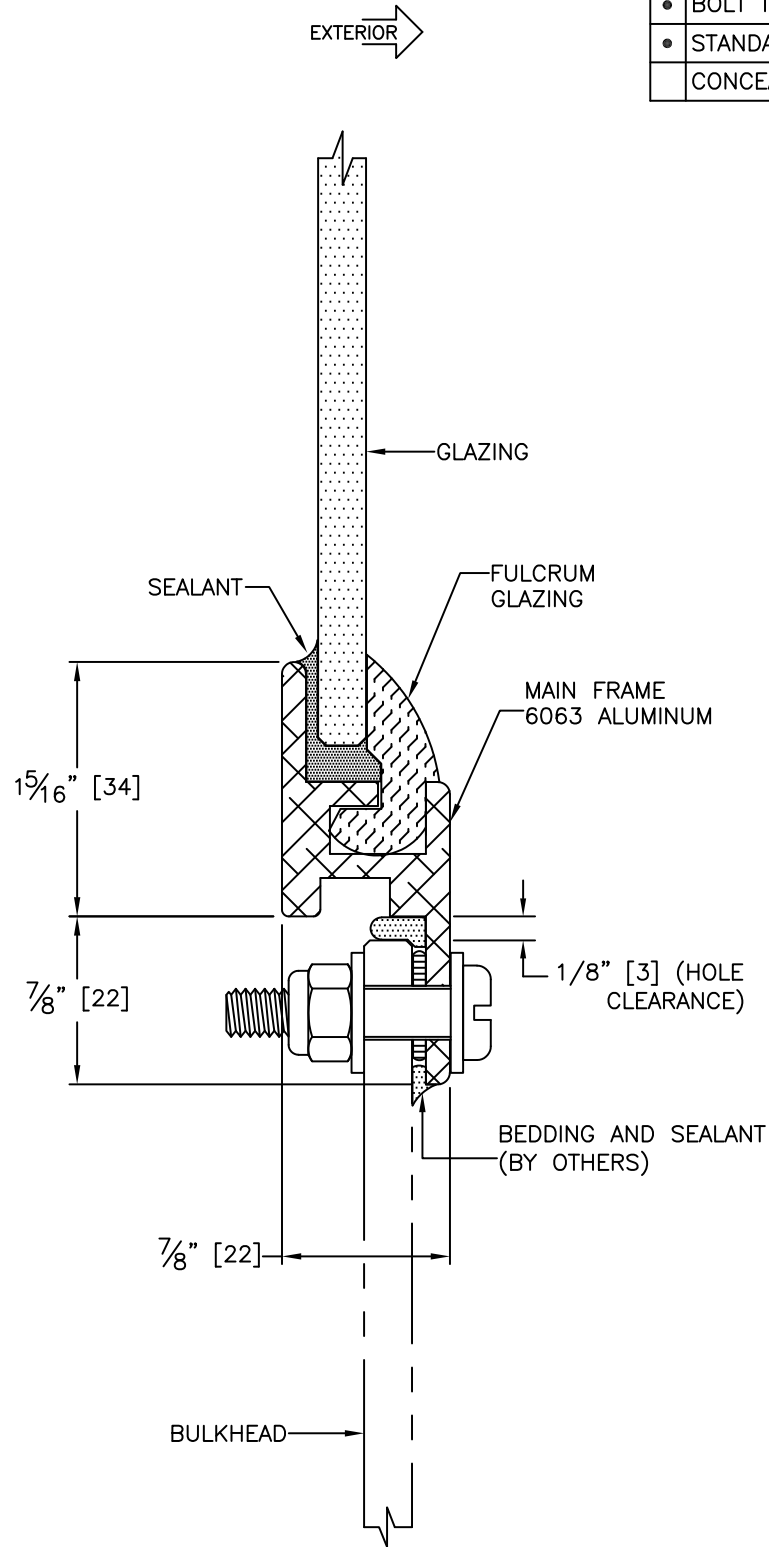


INSTALLATION

WELD IN
• BOLT IN
• STANDARD CLAMP IN
• CONCEALED CLAMP IN



GLAZING THICKNESS RANGES FROM 1/4" [6] TO 3/8" [10mm]
 STANDARD PLATE CUT RADIUS IS 2 5/8" [67], 3 1/8" [79], 3 5/8" [92], AND 4 1/8" [105].



TITLE: FIXED WINDOW

MODEL NO. PCM-1022-FX

REV
—

SCALE: FULL SIZE SHEET: 1 OF: 1