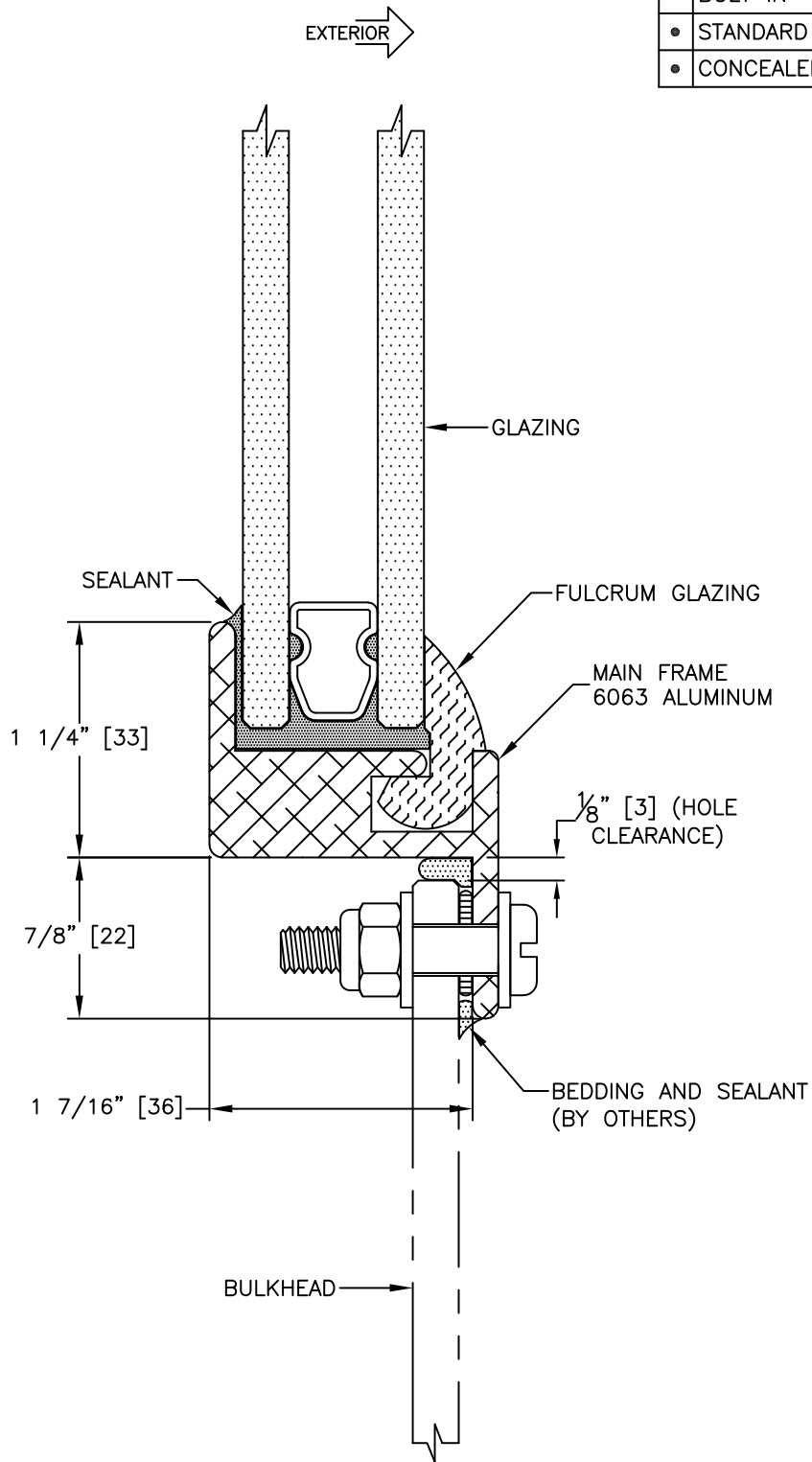


INSTALLATION

WELD IN
• BOLT IN
• STANDARD CLAMP IN
• CONCEALED CLAMP IN



GLAZING THICKNESS RANGES FROM 3/4" [19mm] TO 1" [25mm]
 STANDARD PLATE CUT RADIUS IS 3 1/8" [79], 3 5/8" [92], AND 4 1/8" [105].



TITLE: FIXED WINDOW

MODEL NO. PCM-1026-FX

REV
—

SCALE: FULL SIZE SHEET: 1 OF: 1