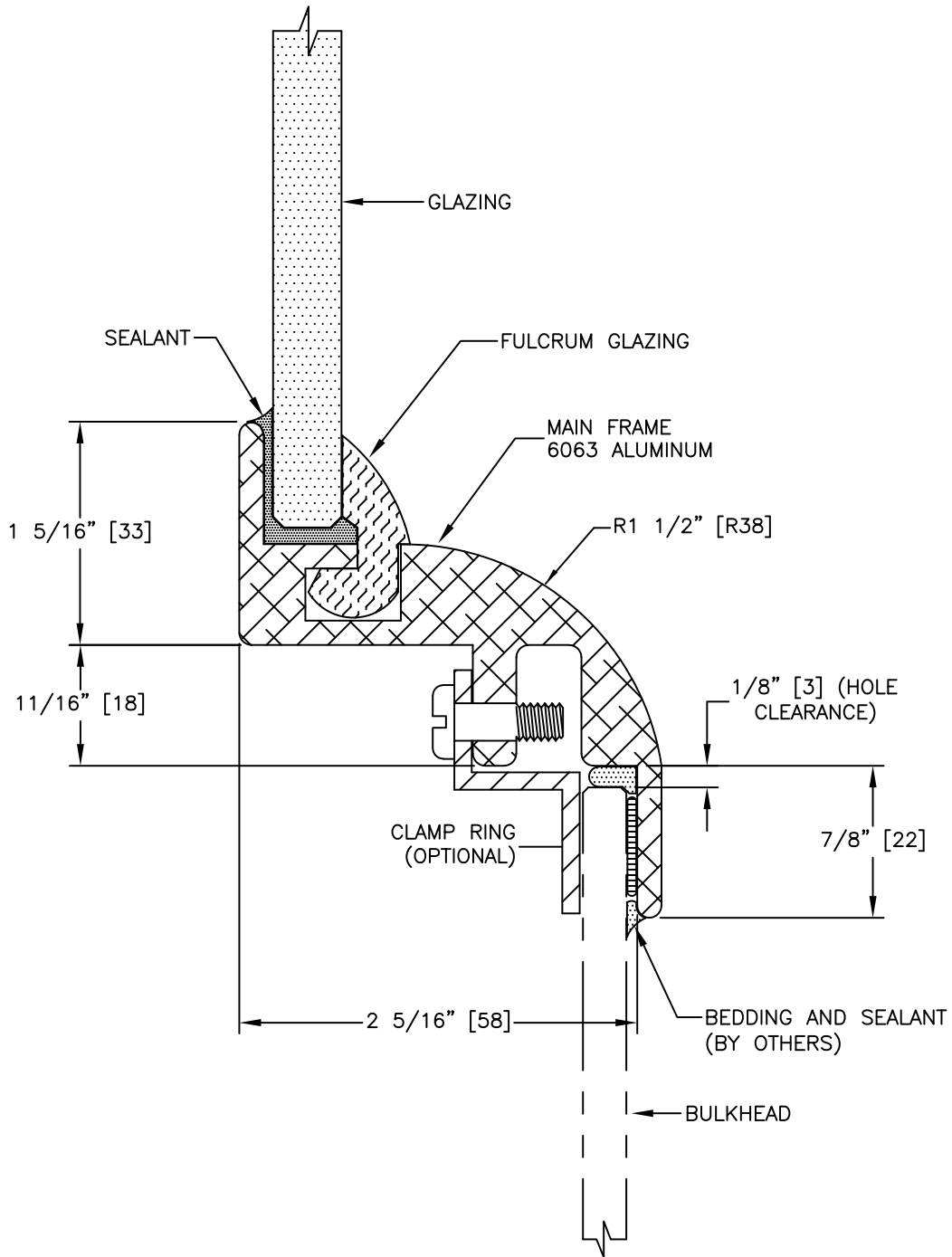


INSTALLATION

WELD IN
• BOLT IN
• STANDARD CLAMP IN
• CONCEALED CLAMP IN



GLAZING THICKNESS RANGES FROM 1/4" [6mm] TO 1/2" [13mm].  
STANDARD PLATE CUT RADIUS IS 5 1/8" [130].



TITLE: FIXED WINDOW

MODEL NO. PCM-1034-FX

REV  
—

SCALE: FULL SIZE SHEET: 1 OF: 1