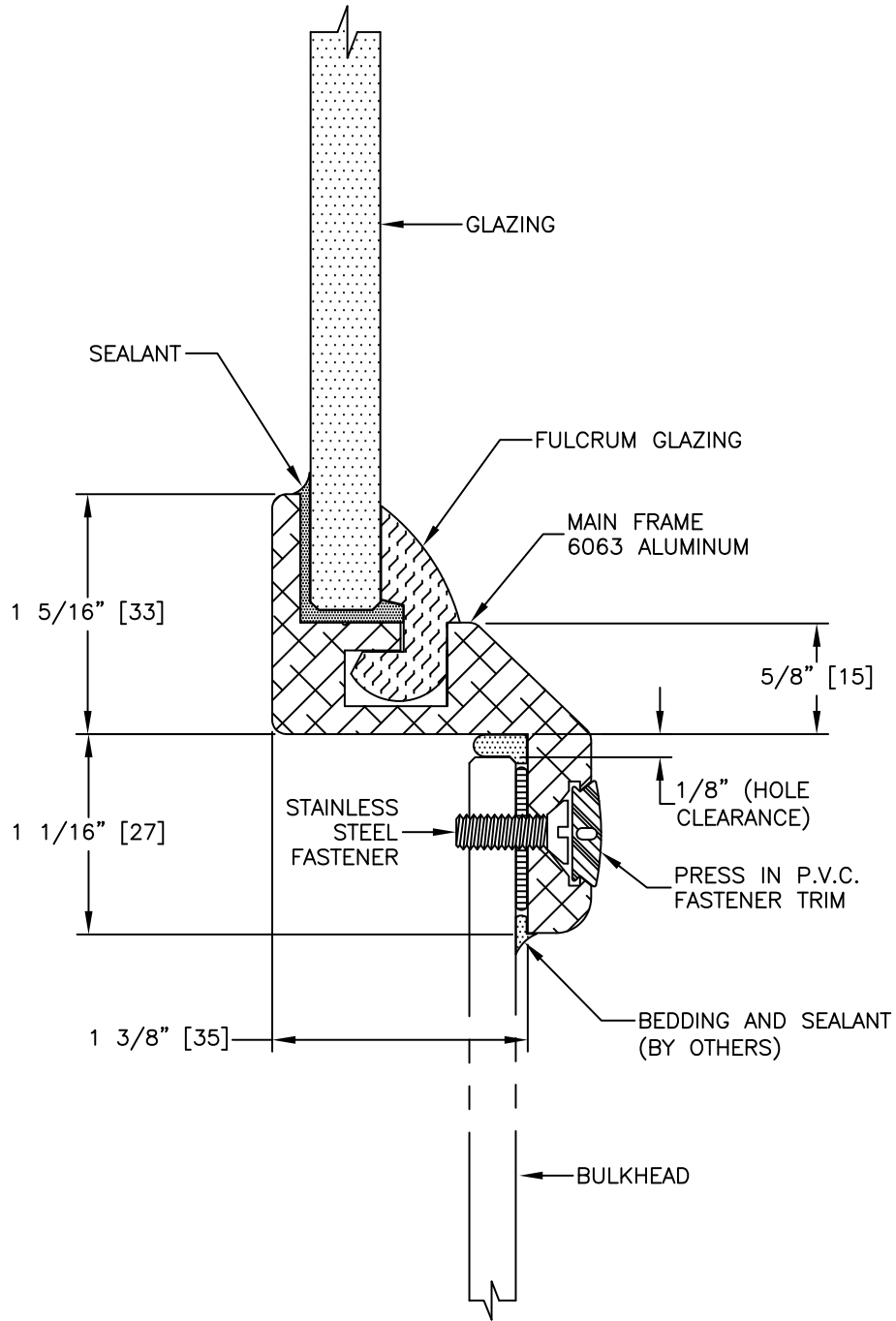


INSTALLATION

	WELD IN
•	BOLT IN
	STANDARD CLAMP IN
	CONCEALED CLAMP IN



GLAZING THICKNESS RANGE FROM 1/4" [6mm] TO 1/2" (13mm).
WINDOW TO BE MITERED.



TITLE:
FIXED WINDOW

MODEL NO.
PCM-1045-FX

REV
—

SCALE: FULL SIZE SHEET: 1 OF: 1