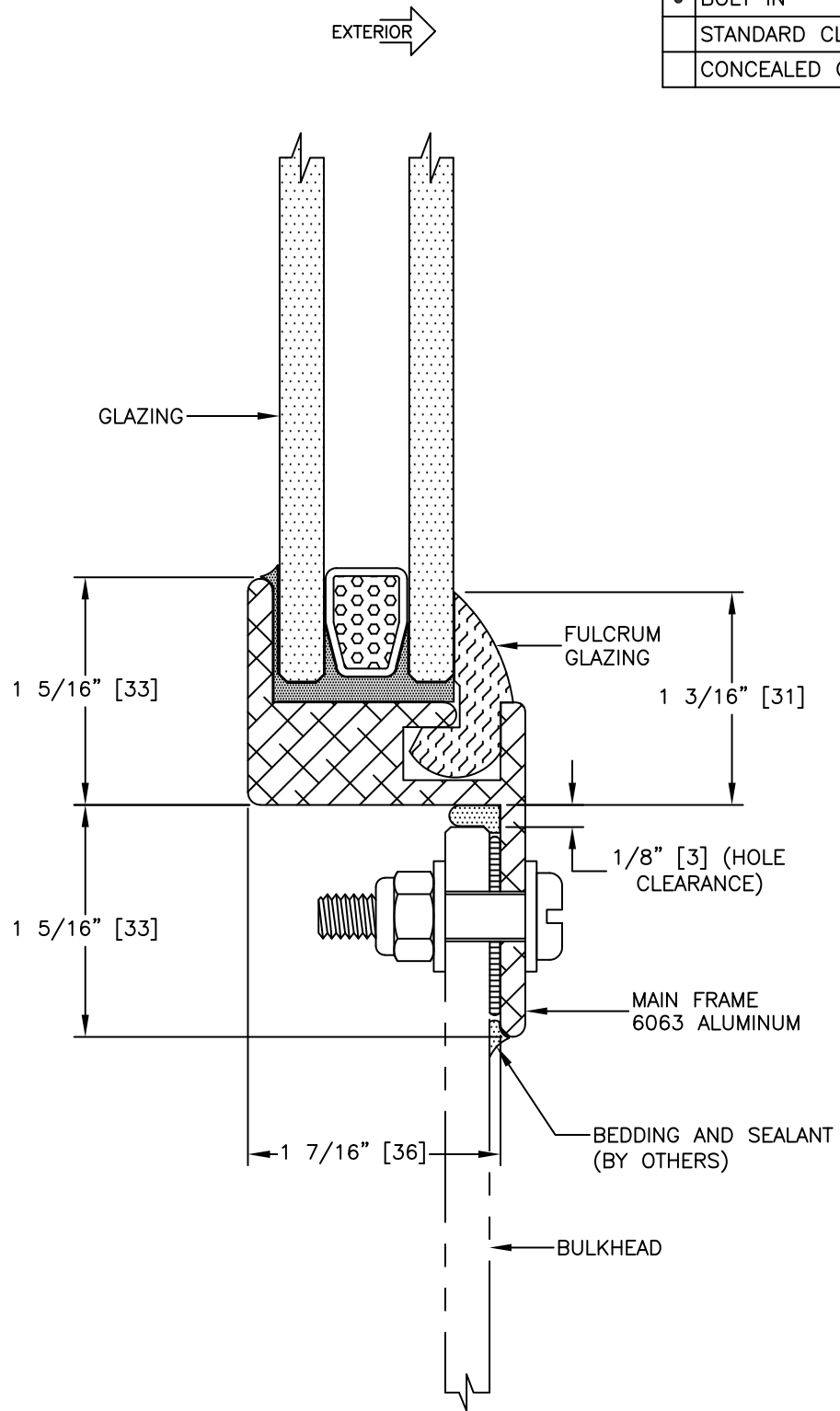


INSTALLATION

WELD IN
• BOLT IN
STANDARD CLAMP IN
CONCEALED CLAMP IN



STANDARD PLATE CUT RADIUS IS 3 1/8" [79], 3 5/8" [92], AND 4 1/8" [105].
 GLAZING THICKNESS RANGES FROM 3/4" [19mm] TO 1" [25mm].



TITLE: FIXED WINDOW

MODEL NO. PCM-1047-FX
 SCALE: FULL SIZE SHEET: 1 OF: 1

REV
 —