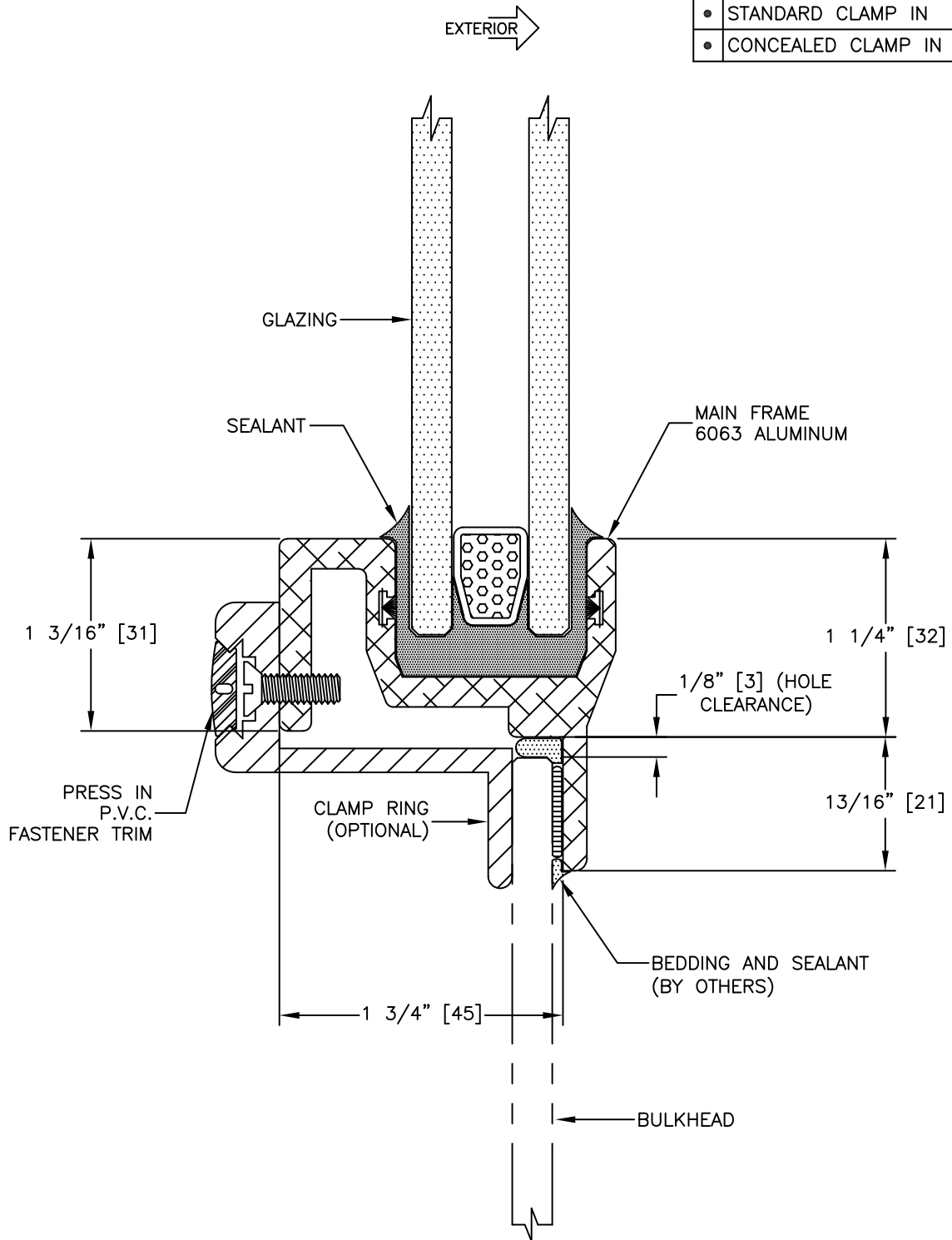


INSTALLATION

WELD IN
• BOLT IN
• STANDARD CLAMP IN
• CONCEALED CLAMP IN



GLAZING THICKNESS 1" [25mm].
 STANDARD PLATE CUT RADIUS IS $3 \frac{1}{8}$ " [79], $3 \frac{5}{8}$ " [92], AND $4 \frac{1}{8}$ " [105].



TITLE: FIXED WINDOW

MODEL NO. PCM-1072-FX

REV
 —

SCALE: FULL SIZE SHEET: 1 OF: 1