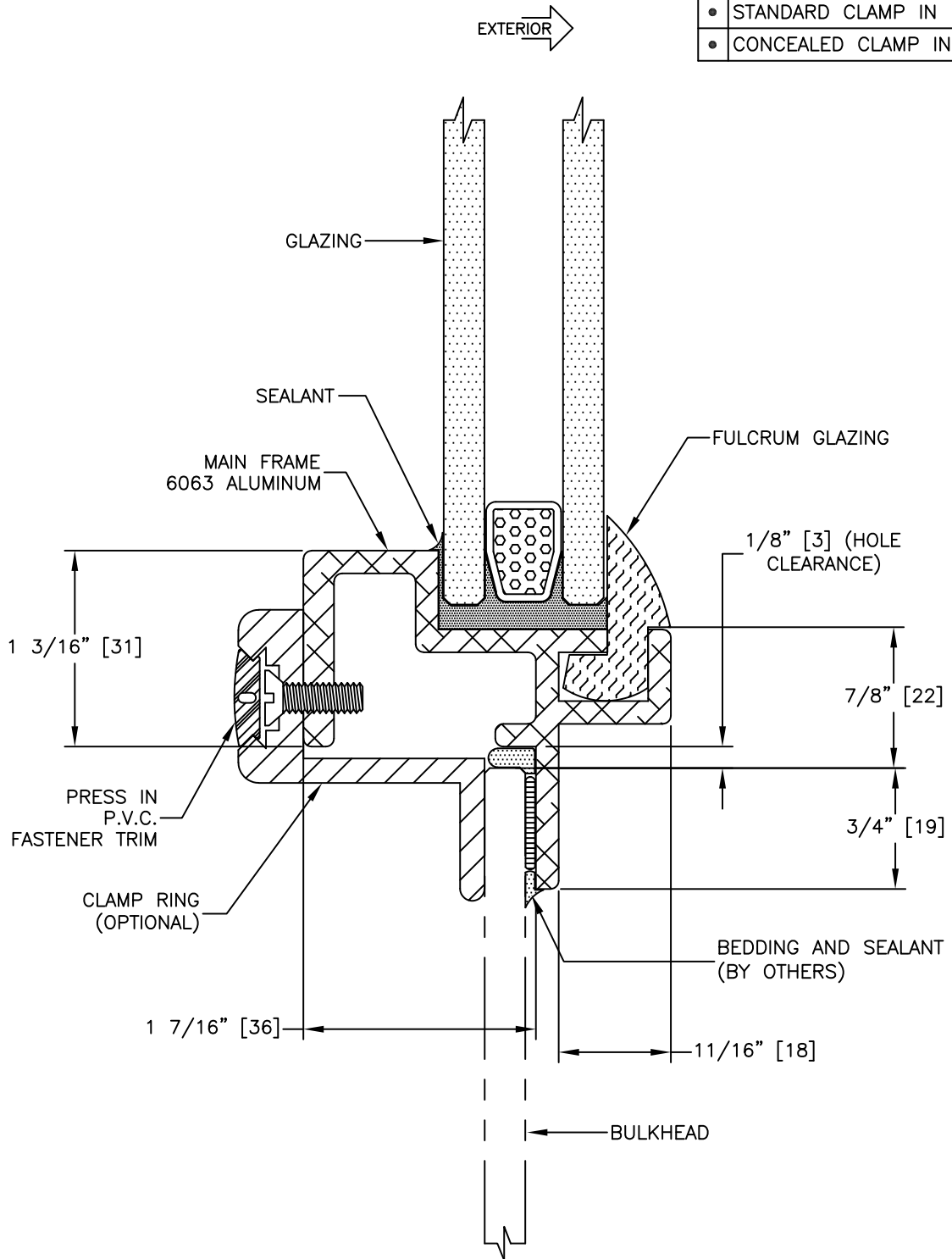


INSTALLATION

WELD IN
• BOLT IN
• STANDARD CLAMP IN
• CONCEALED CLAMP IN



GLAZING THICKNESS RANGE FROM 5/8" [16mm] TO 1" [26mm].
WINDOW TO BE MITERED.



TITLE: FIXED WINDOW

MODEL NO. PCM-1082-FX

REV
—

SCALE: FULL SIZE SHEET: 1 OF: 1