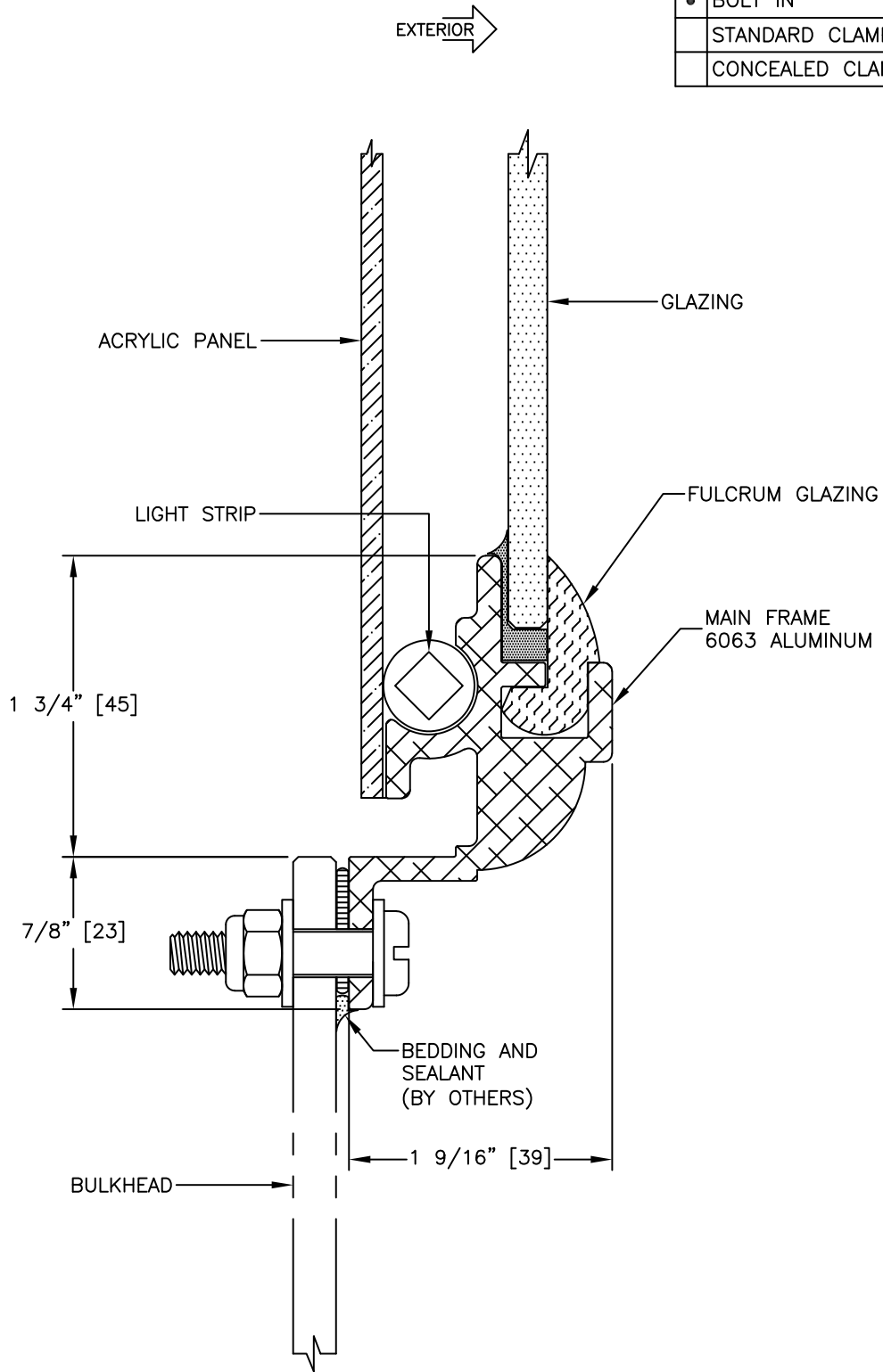


INSTALLATION

WELD IN
• BOLT IN
STANDARD CLAMP IN
CONCEALED CLAMP IN



WINDOW TO BE MITERED.
GLAZING THICKNESS TO BE 1/4" [6mm].



TITLE:
FIXED WINDOW

MODEL NO.
PCM-1099-FX

REV
—

SCALE: FULL SIZE SHEET: 1 OF: 1