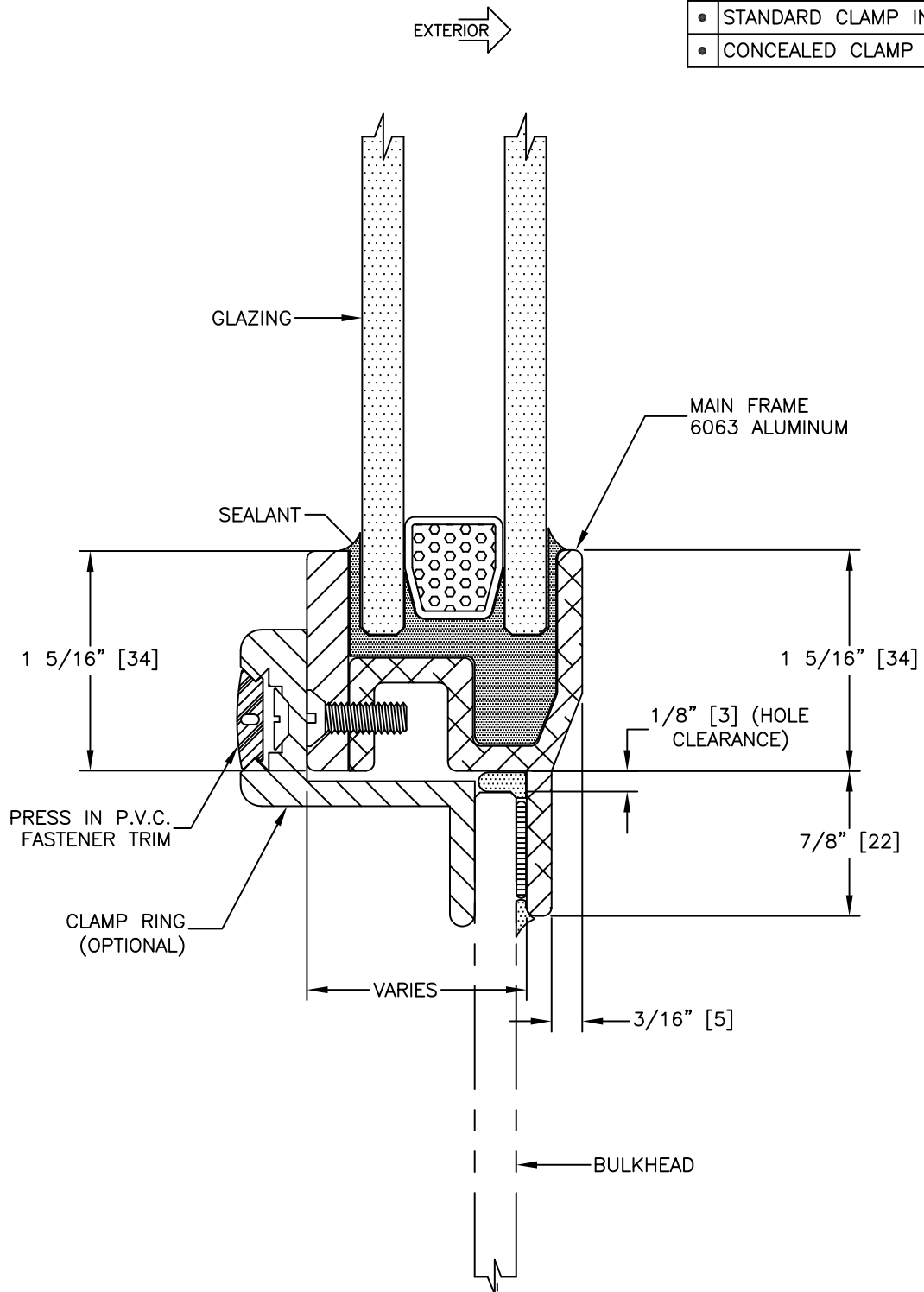


INSTALLATION

WELD IN
• BOLT IN
• STANDARD CLAMP IN
• CONCEALED CLAMP IN



GLAZING THICKNESS RANGE FROM 1/4" [6mm] TO 1-1/8" [29mm].
 STANDARD PLATE CUT RADIUS IS 3 1/8" [79], 3 5/8" [92], AND 4 1/8" [105].



TITLE: FIXED WINDOW

MODEL NO. PCM-1109-FX

REV —

SCALE: FULL SIZE SHEET: 1 OF: 1