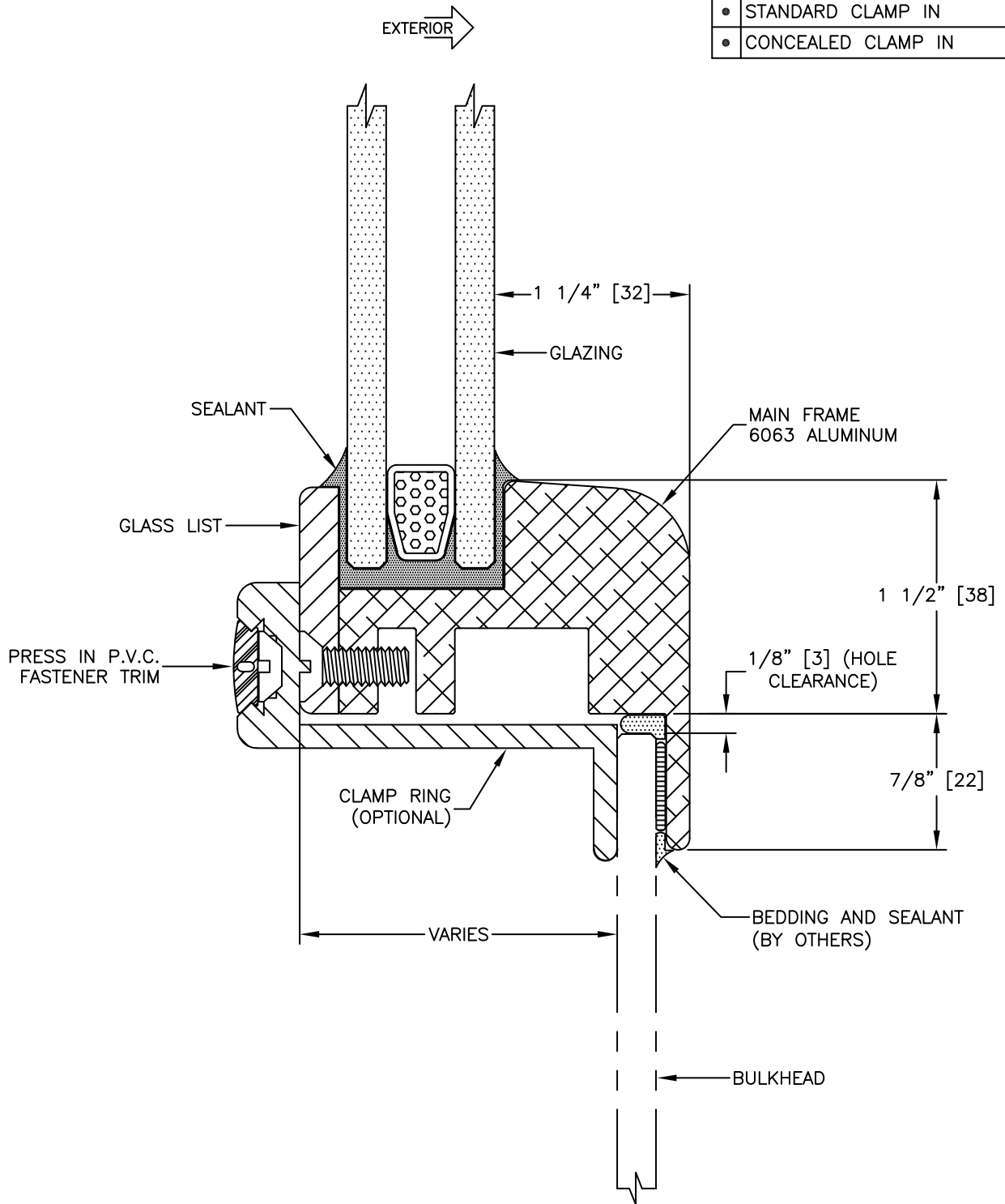


INSTALLATION

WELD IN
• BOLT IN
• STANDARD CLAMP IN
• CONCEALED CLAMP IN



STANDARD PLATE CUT RADIUS IS 4" [102].
 GLAZING THICKNESS TO BE 1/4" [6mm] OR GREATER.



TITLE: FIXED WINDOW

MODEL NO. PCM-1116-FX

REV
 —

SCALE: FULL SIZE SHEET: 1 OF: 1