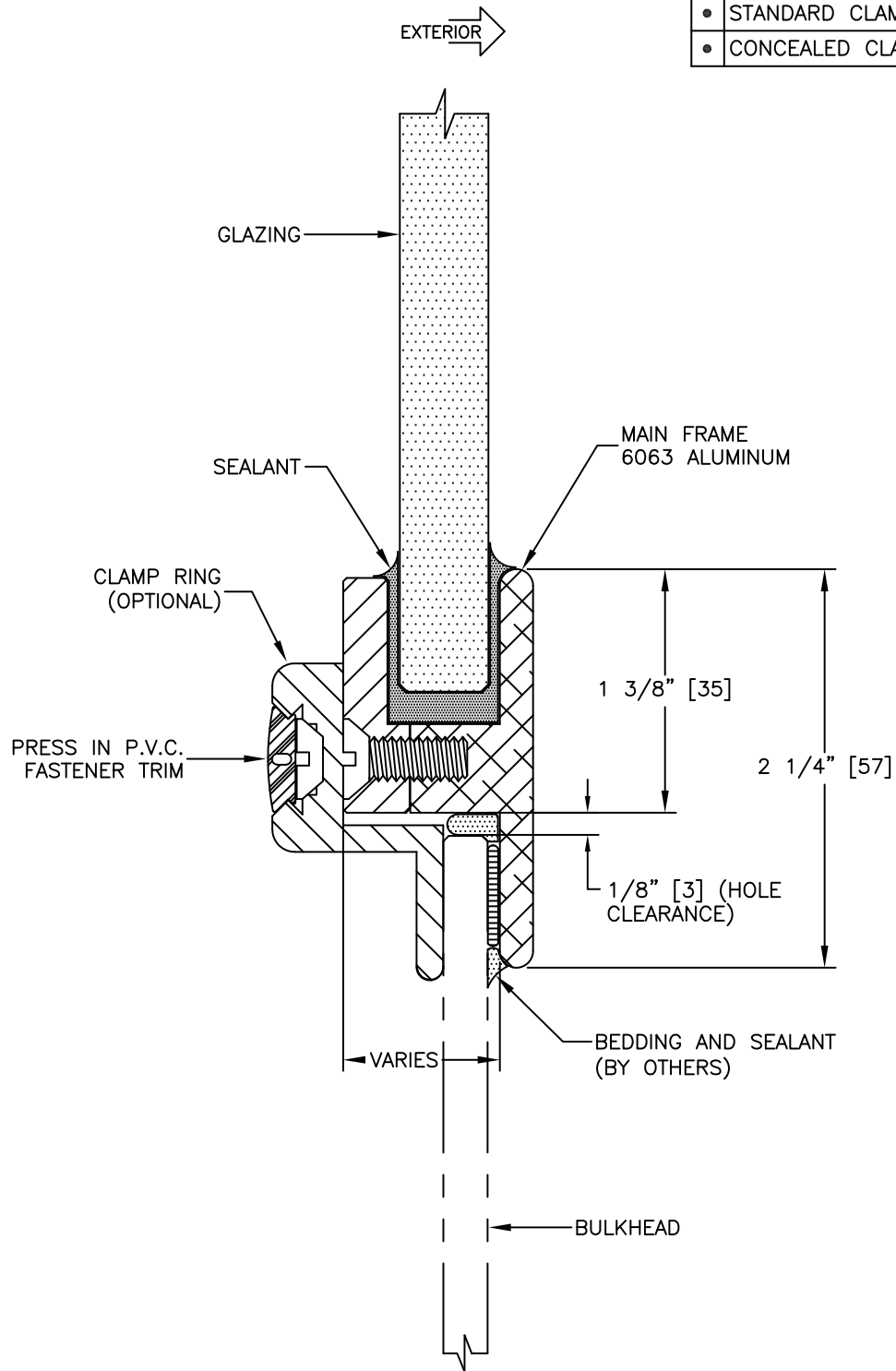


INSTALLATION

WELD IN
• BOLT IN
• STANDARD CLAMP IN
• CONCEALED CLAMP IN



GLAZING THICKNESS RANGE FROM 1/4" [6mm] TO 1/2" [13mm].  
 STANDARD PLATE CUT RADIUS IS 3 1/8" [79], 3 5/8" [92], 4 1/8" [105], AND 4 5/8" [117].