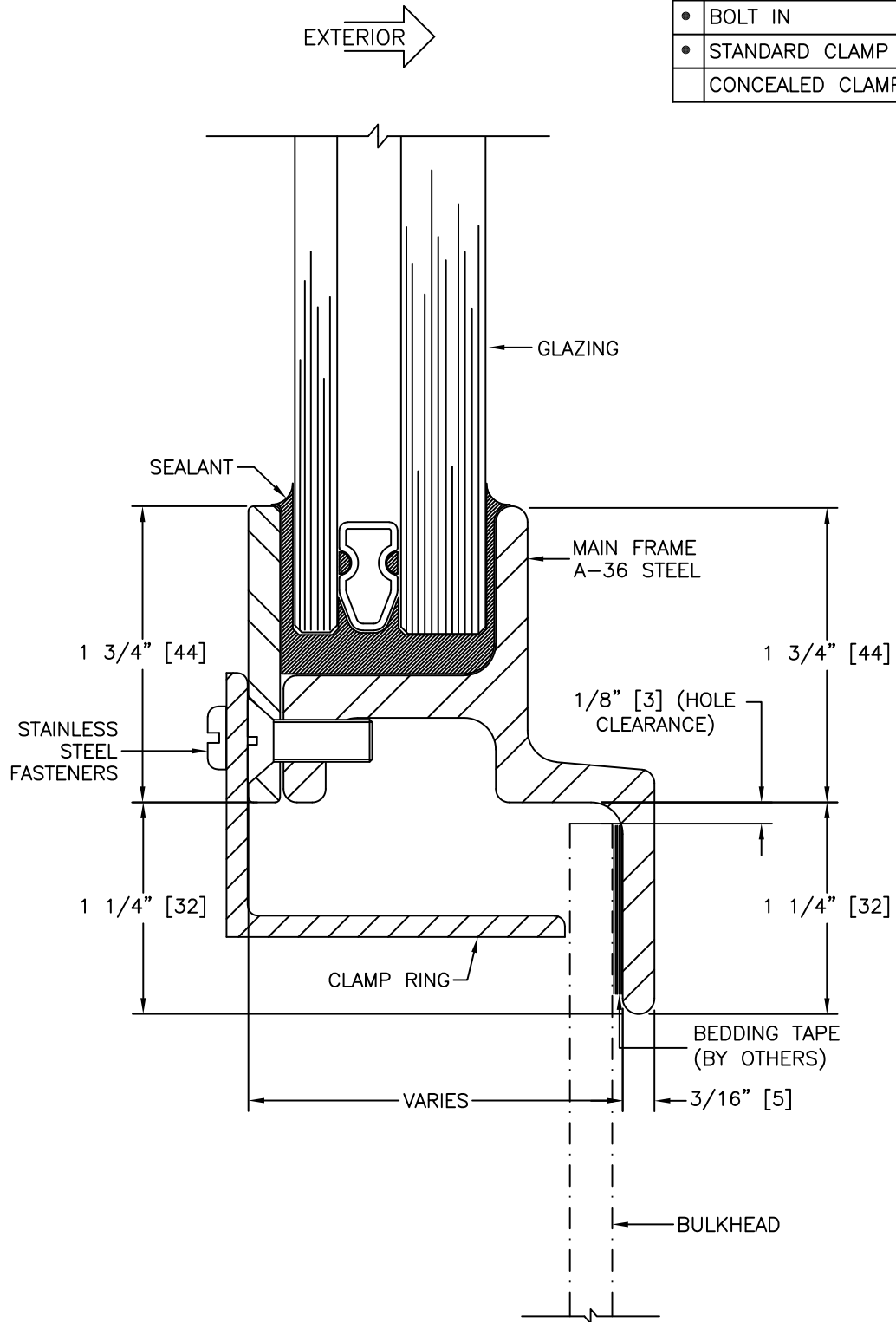


INSTALLATION

	WELD IN
•	BOLT IN
•	STANDARD CLAMP IN
	CONCEALED CLAMP IN



GLAZING THICKNESS RANGE FROM 1/4" [6mm] TO 1 1/8" [29mm].
 STANDARD PLATE CUT RADIUS IS 5 5/16" [135].



TITLE: STEEL
 FIXED WINDOW

MODEL NO. PCM-6001-FX

REV

SCALE: FULL SIZE SHEET: 1 OF: 1