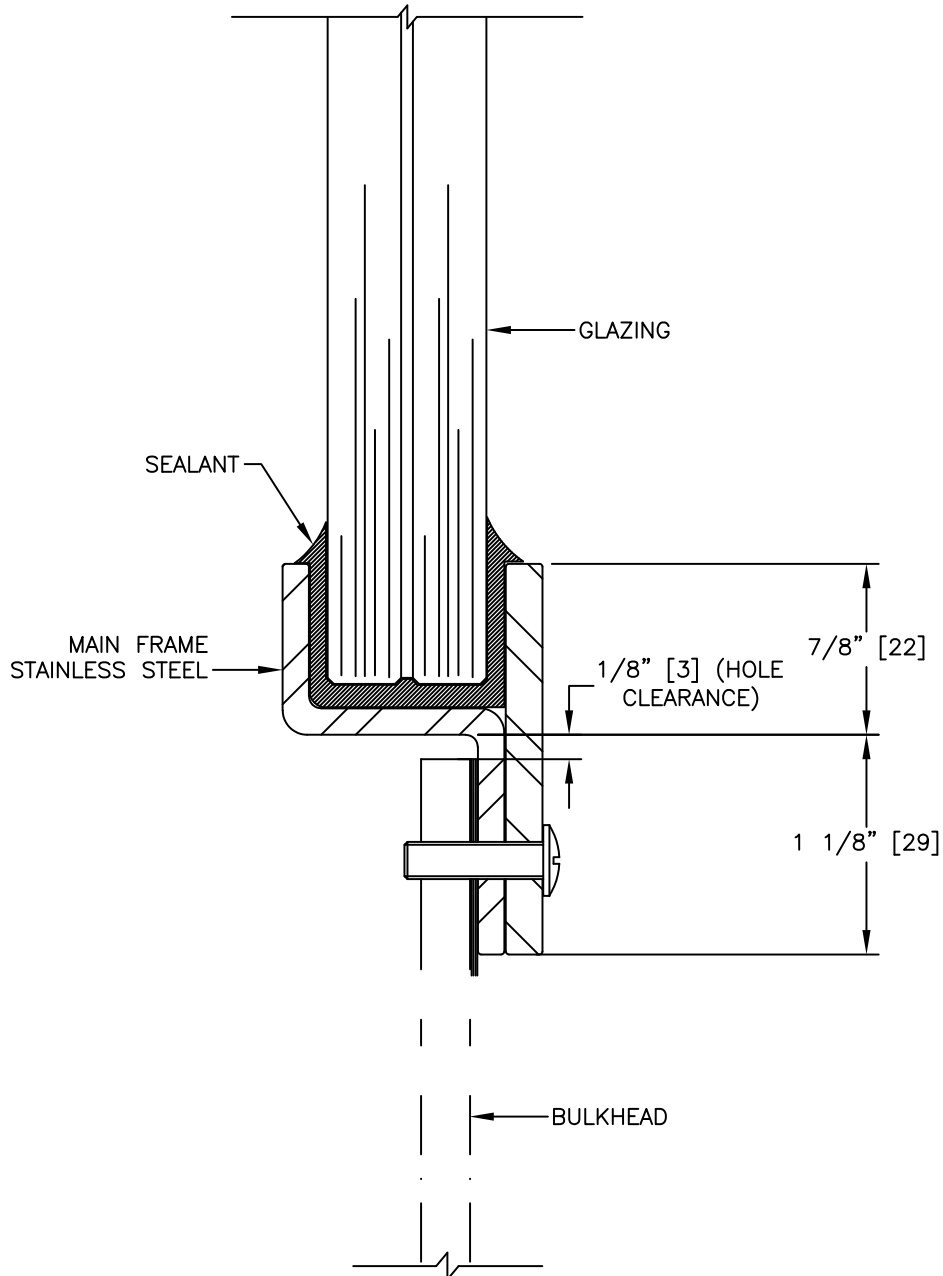


INSTALLATION

	WELD IN
•	BOLT IN
	STANDARD CLAMP IN
	CONCEALED CLAMP IN

EXTERIOR 



MITER CORNERS ONLY.  
GLAZING THICKNESS REQUIRES 1/4" [6mm] OR GREATER.