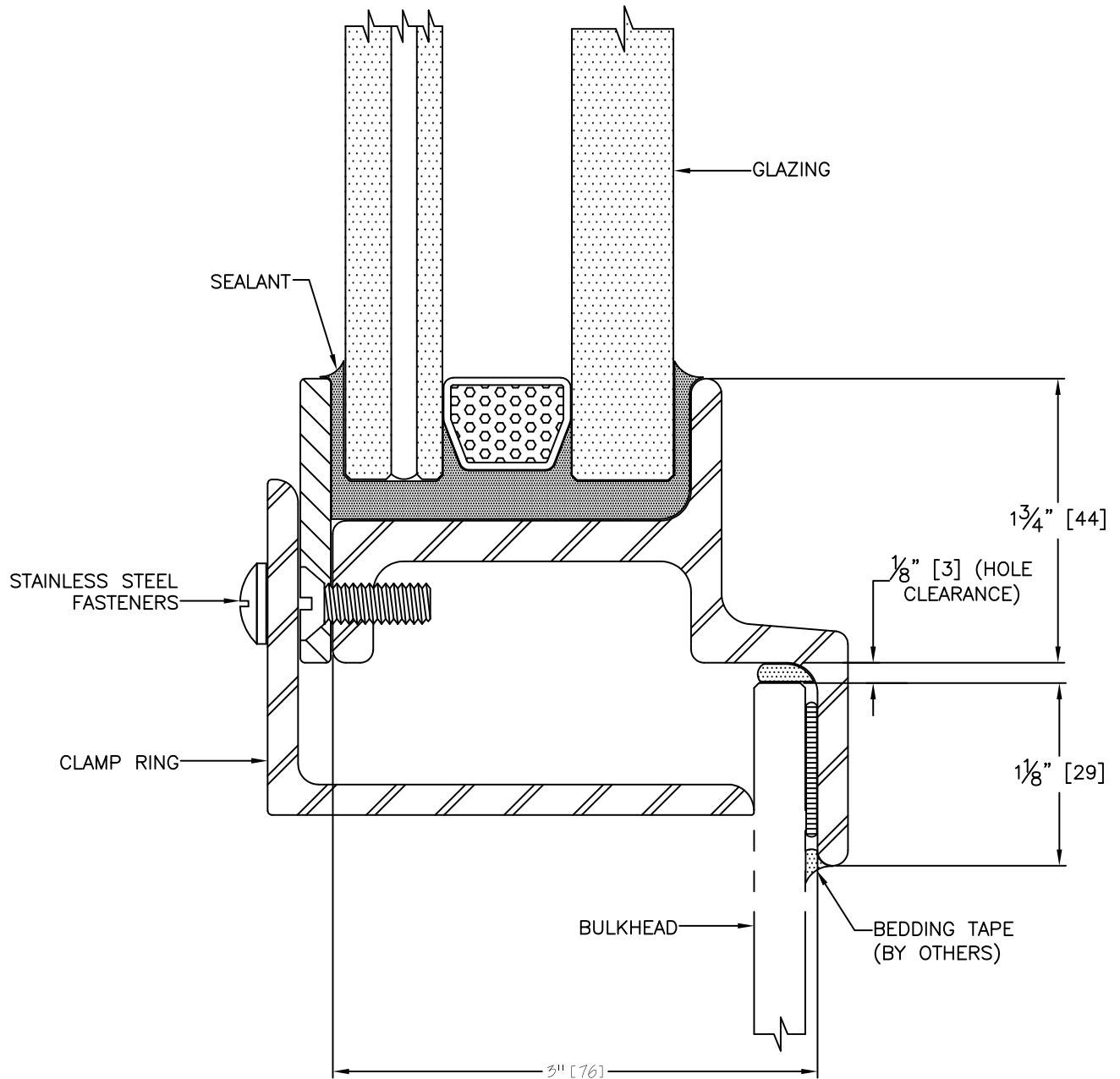


INSTALLATION

WELD IN
BOLT IN
• STANDARD CLAMP IN
CONCEALED CLAMP IN

EXTERIOR →



GLAZING THICKNESS RANGES FROM ????  
STANDARD PLATE CUT RADIUS IS ???



TITLE:  
STEEL CLAMP-IN  
FIXED WINDOW

MODEL NO.  
PCM-6005-FX  
SCALE: FULL SIZE SHEET: 1 OF: 1

REV  
—