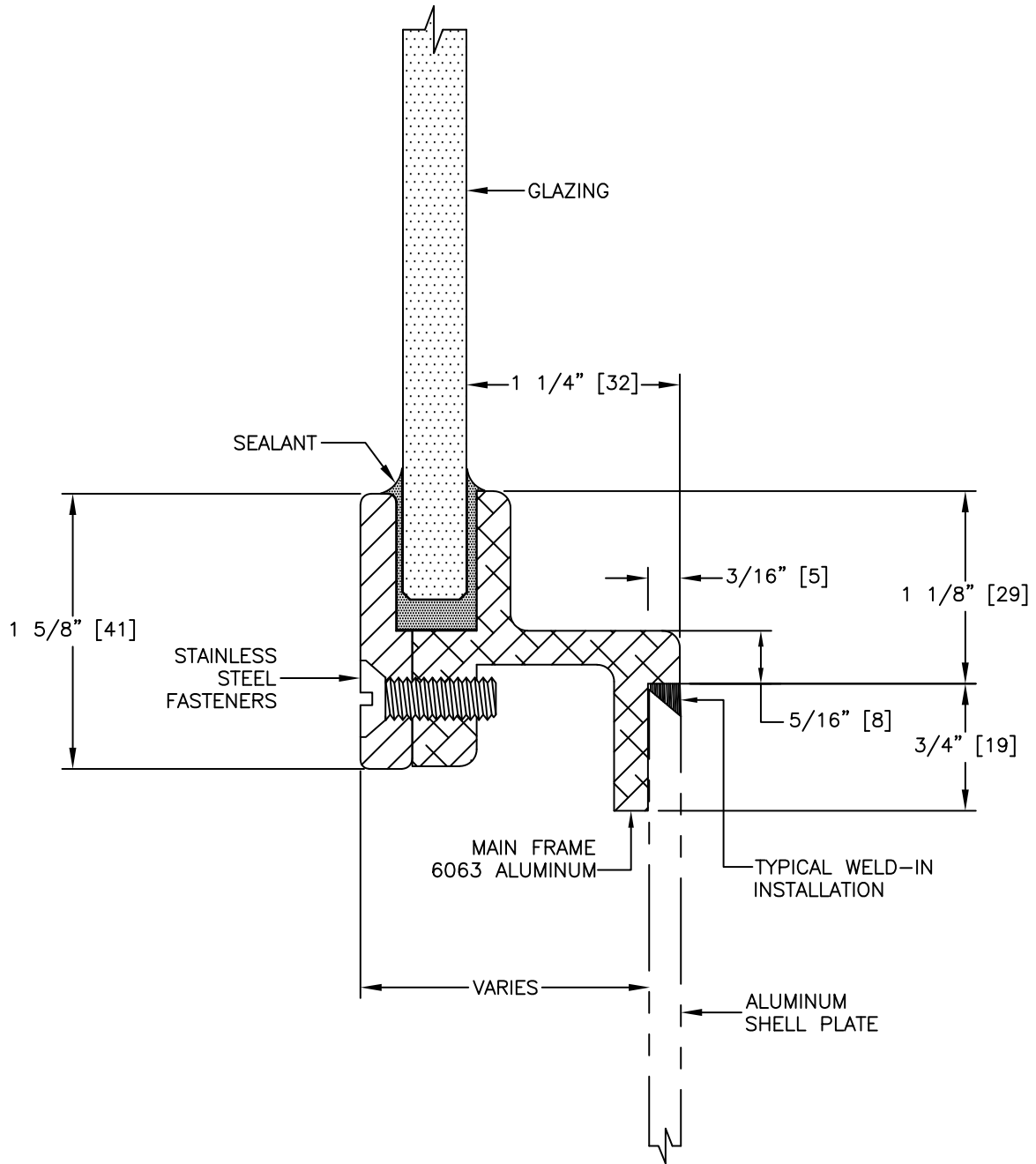


INSTALLATION

•	WELD IN
	BOLT IN
	STANDARD CLAMP IN
	CONCEALED CLAMP IN



GLAZING THICKNESS RANGE FROM 1/4" [6mm] TO 1/2" [13mm].
 STANDARD PLATE CUT RADIUS IS 3 1/8" [79mm] AND 4 1/8" [13mm].



TITLE: FIXED WINDOW

MODEL NO. PCM-1083-FX

REV
—

SCALE: FULL SIZE SHEET: 1 OF: 1