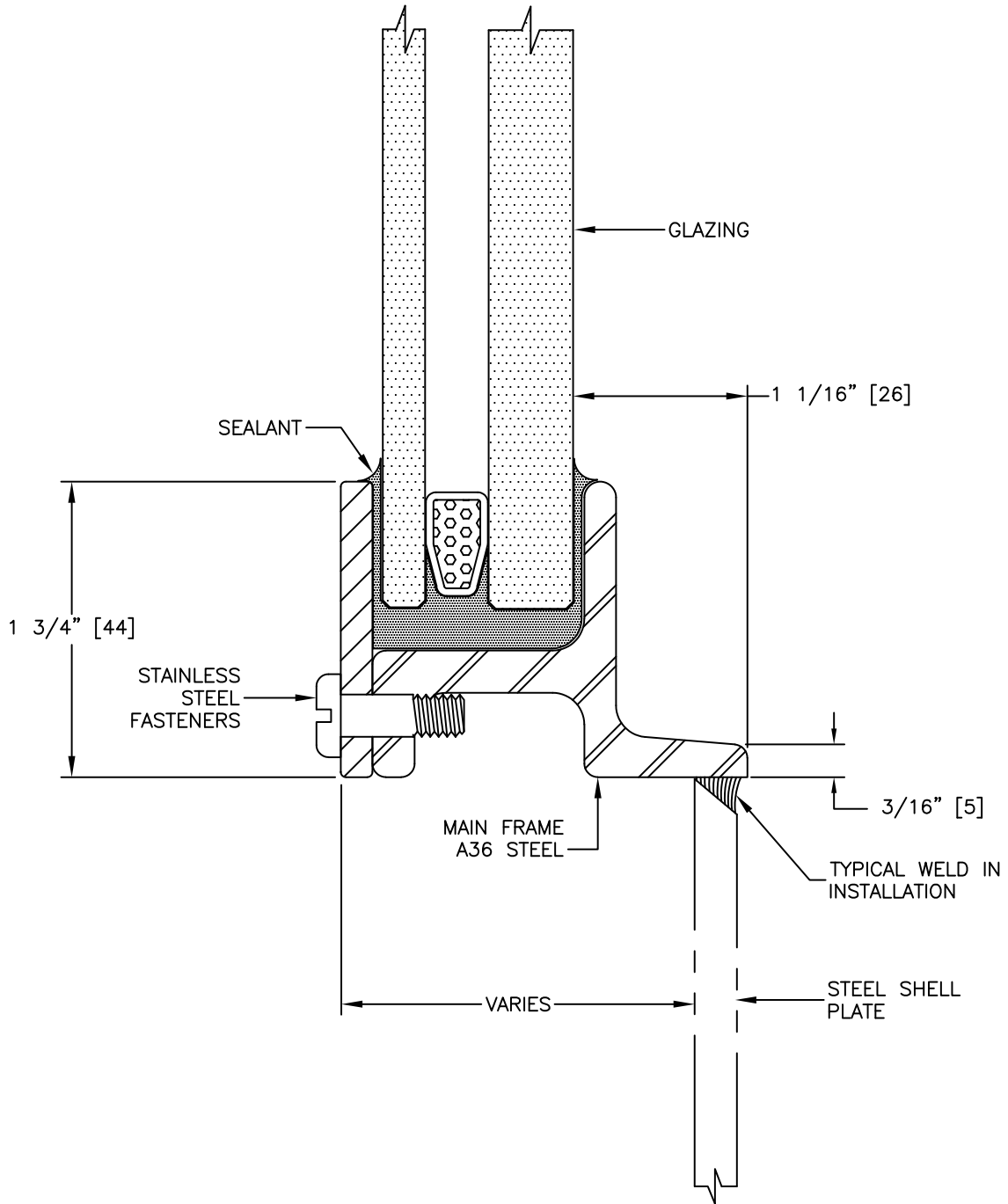


INSTALLATION

• WELD IN
BOLT IN
STANDARD CLAMP IN
CONCEALED CLAMP IN

EXTERIOR →



GLAZING THICKNESS RANGE FROM 1/4" [6mm] OR GREATER.  
STANDARD PLATE CUT RADIUS IS 5 3/4" [146].



TITLE:  
FIXED WINDOW  
(STEEL)

MODEL NO.  
PCM-6002-FX  
SCALE: FULL SIZE SHEET: 1 OF: 1

REV  
—