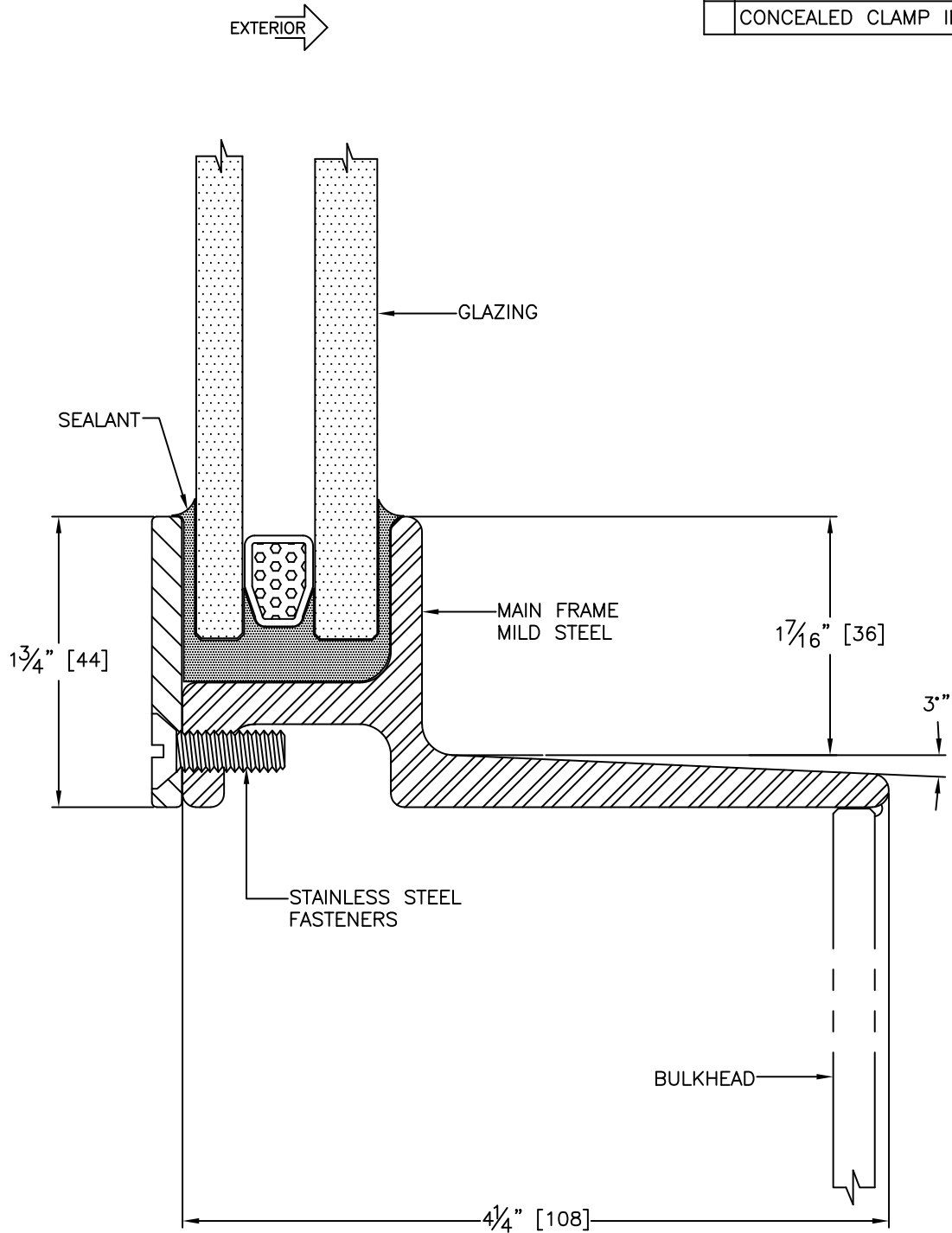


INSTALLATION

•	WELD IN
	BOLT IN
	STANDARD CLAMP IN
	CONCEALED CLAMP IN



GLAZING THICKNESS RANGES FROM ????

STANDARD PLATE CUT RADIUS IS ???



TITLE:
STEEL WELD-IN
FIXED WINDOW

MODEL NO.
PCM-6004-FX

SCALE: FULL SIZE SHEET: 1 OF: 1

REV
—