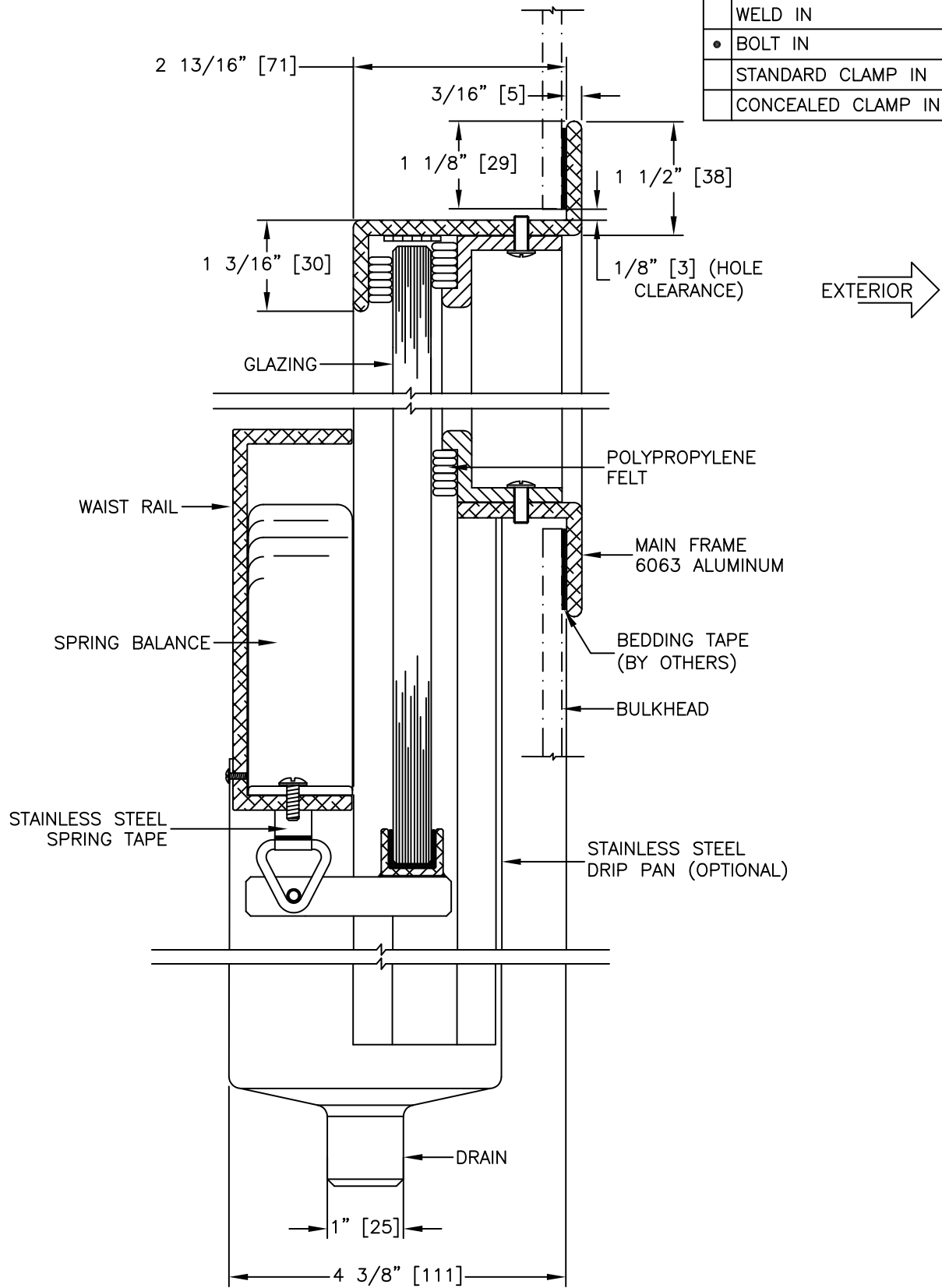


INSTALLATION

WELD IN
• BOLT IN
STANDARD CLAMP IN
CONCEALED CLAMP IN



GLAZING THICKNESS RANGE FROM 3/8" [10mm] TO 1/2" [13mm].
 STANDARD PLATE CUT RADIUS IS 3 1/4" [83], 3 3/4" [95], AND 4 1/4" [108].



TITLE: FULL DROP WINDOW

MODEL NO. PCM-2001-FD-S
 SCALE: HALF SIZE SHEET: 1 OF: 1

REV