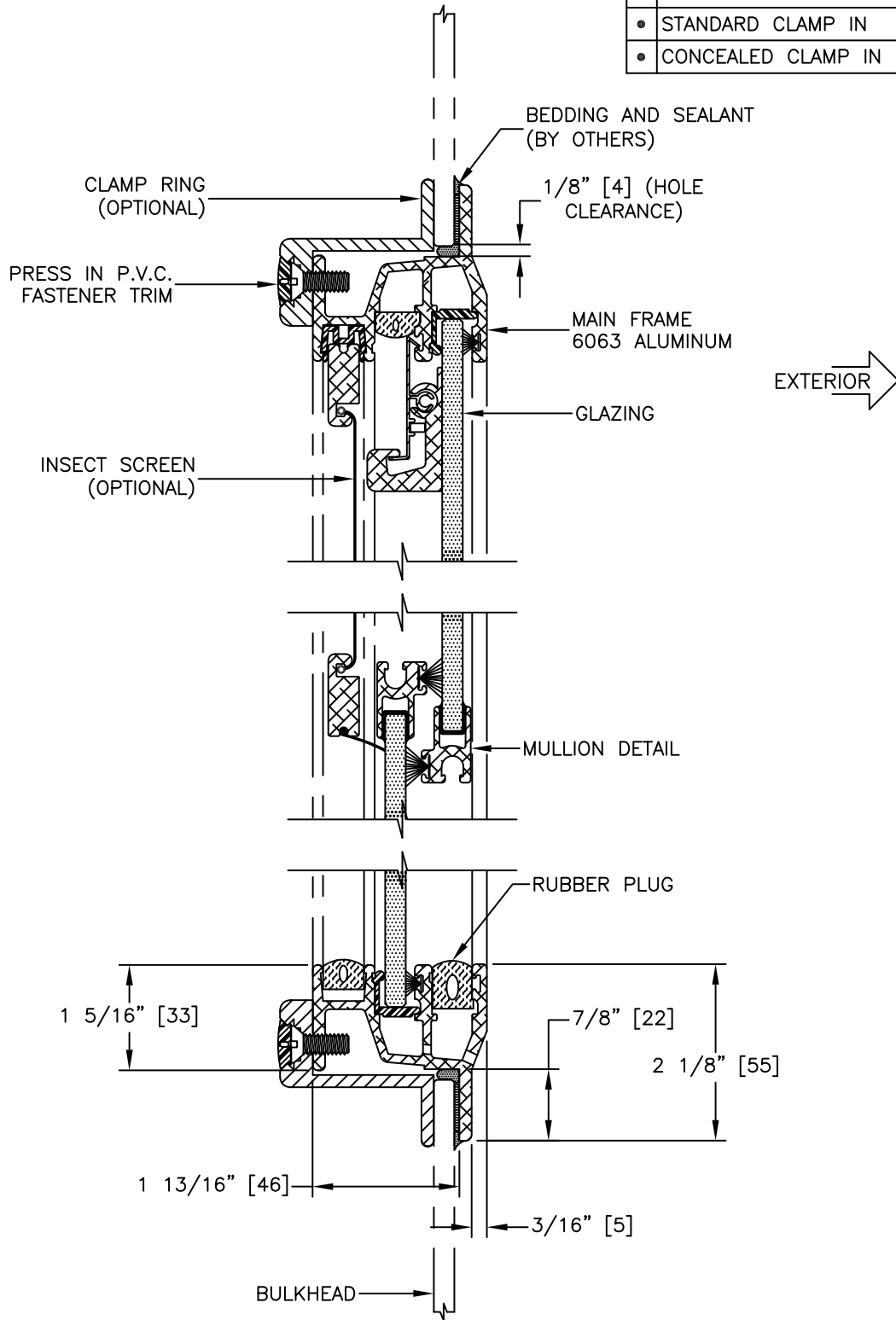


INSTALLATION

|                      |
|----------------------|
| WELD IN              |
| • BOLT IN            |
| • STANDARD CLAMP IN  |
| • CONCEALED CLAMP IN |



GLAZING THICKNESS TO BE 1/4" [6mm].  
 STANDARD PLATE CUT RADIUS IS 3 1/8" [79mm], 3 5/8" [92mm], AND 4 1/8" [105mm].



TITLE:  
 HALF DROP WINDOW

MODEL NO.  
 PCM-1066-HD

SCALE: FULL SIZE SHEET: 1 OF: 1

REV  
 —