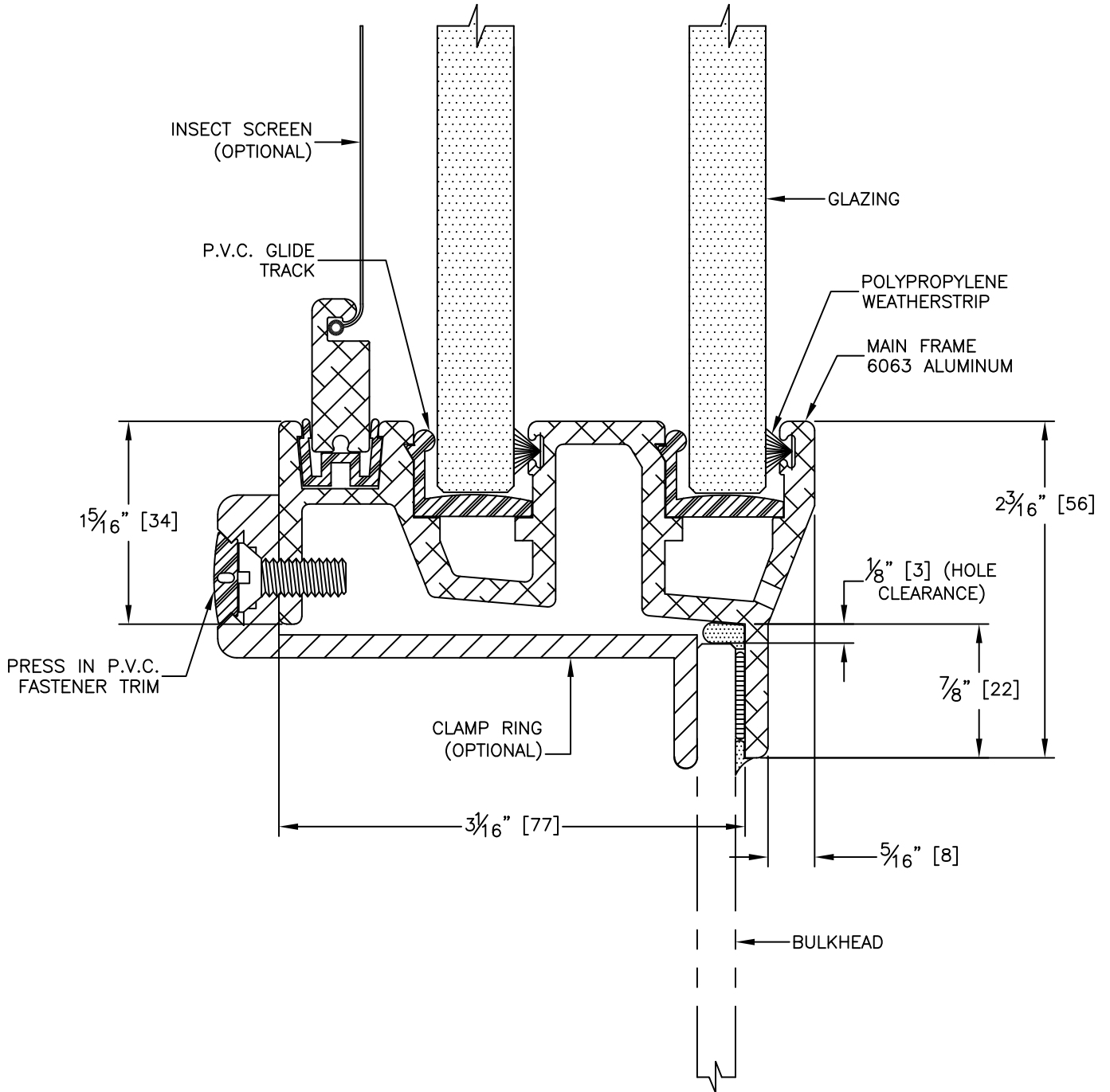


INSTALLATION

WELD IN
• BOLT IN
• STANDARD CLAMP IN
• CONCEALED CLAMP IN

EXTERIOR →



GLAZING THICKNESS TO BE 1/2" [13mm].
STANDARD PLATE CUT RADIUS IS 3 5/8" [92mm].



TITLE:
HORIZONTAL SLIDING
WINDOW

MODEL NO.
PCM-1079-HS

REV
—

SCALE: FULL SIZE SHEET: 1 OF: 1