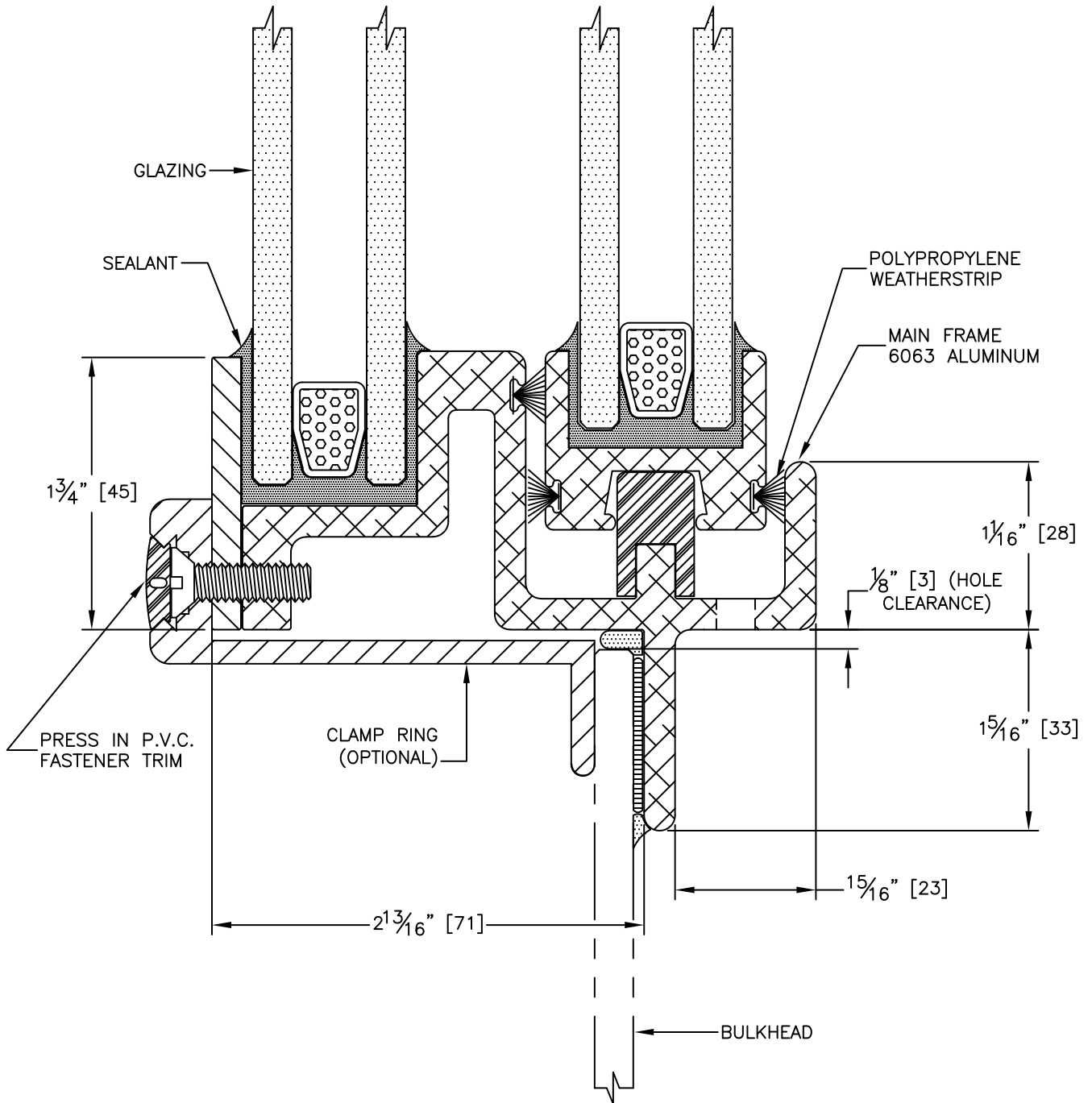


INSTALLATION

|                      |
|----------------------|
| WELD IN              |
| • BOLT IN            |
| • STANDARD CLAMP IN  |
| • CONCEALED CLAMP IN |

EXTERIOR →



GLAZING THICKNESS RANGE FROM  $\frac{1}{2}$ " [13mm] TO 1" [25mm].



TITLE:  
HORIZONTAL SLIDING WINDOW

MODEL NO.  
PCM-1095-HS

REV  
—

SCALE: FULL SIZE SHEET: 1 OF: 1