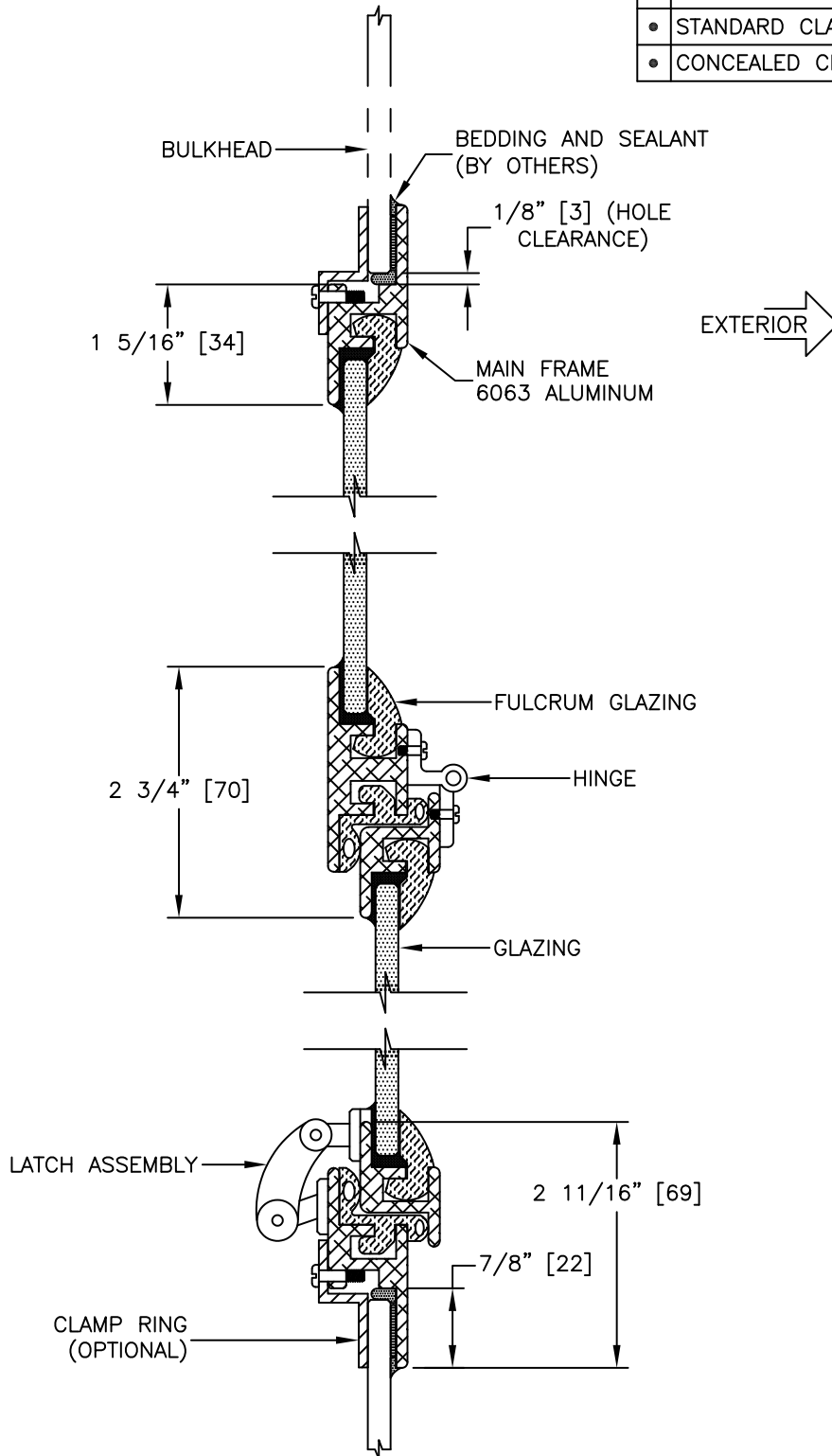


INSTALLATION

WELD IN
• BOLT IN
• STANDARD CLAMP IN
• CONCEALED CLAMP IN



STANDARD PLATE CUT RADIUS IS 2 1/2" [64], 3 [76], 3 1/2" [89], AND 4" [102].  
 GLAZING THICKNESS RANGE FROM 1/4" [6mm] TO 3/8" [10mm].



TITLE:  
 HALF VENT  
 WINDOW

MODEL NO.  
 PCM-1022-HV

SCALE: NONE SHEET: 1 OF: 1

REV  
 —