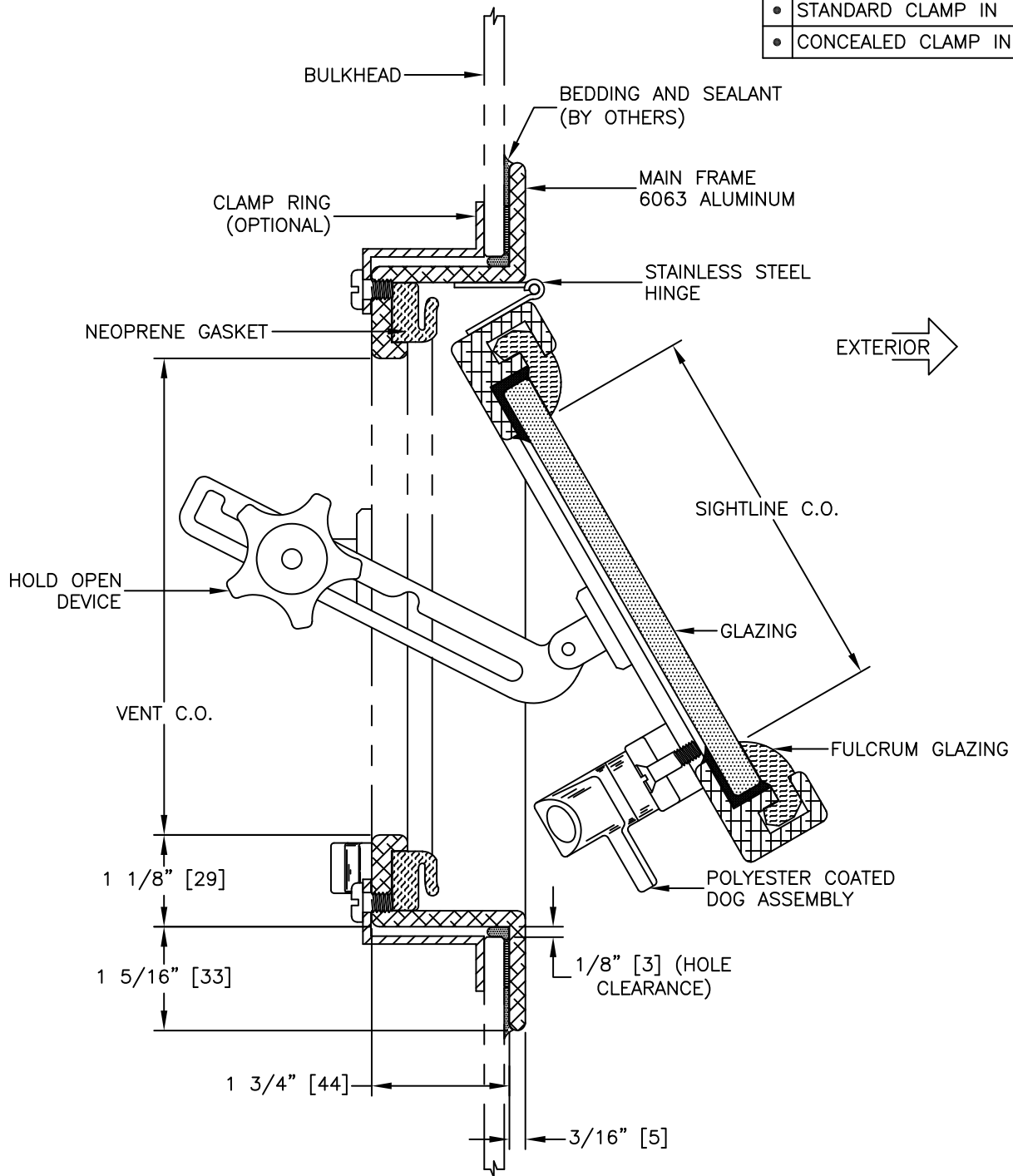


INSTALLATION

WELD IN
• BOLT IN
• STANDARD CLAMP IN
• CONCEALED CLAMP IN



STANDARD PLATE CUT RADIUS IS 3 1/2" [89] AND 4" [102].
 GLAZING THICKNESS RANGE FROM 1/4" [6mm] TO 1/2" [13mm].



TITLE:
 HALF VENT
 WINDOW

MODEL NO.
 PCM-2000A-FV

SCALE: NONE SHEET: 1 OF: 1

REV
 —