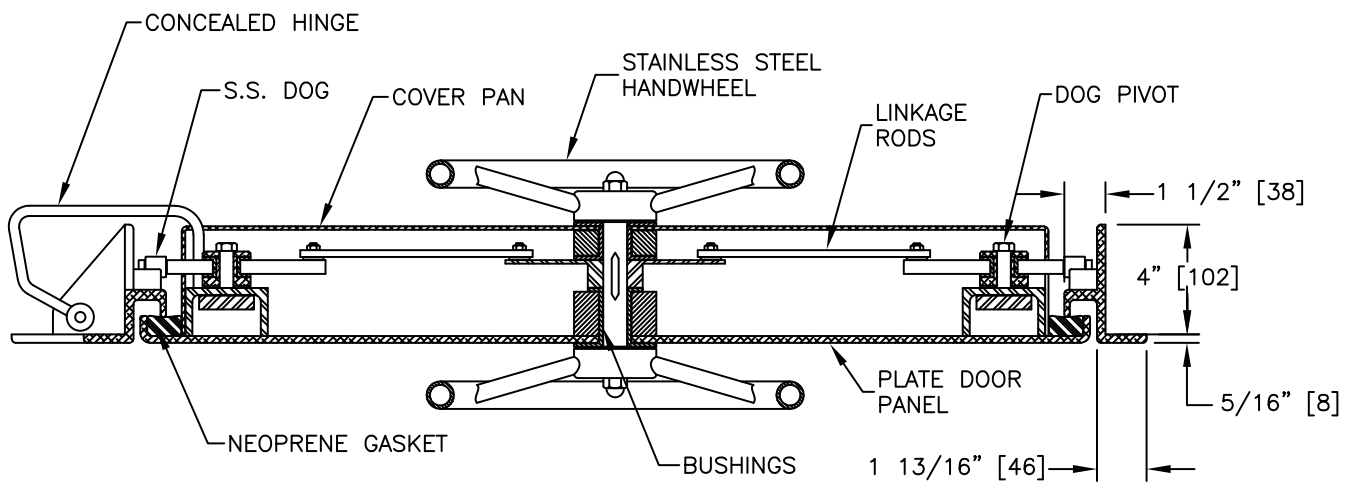
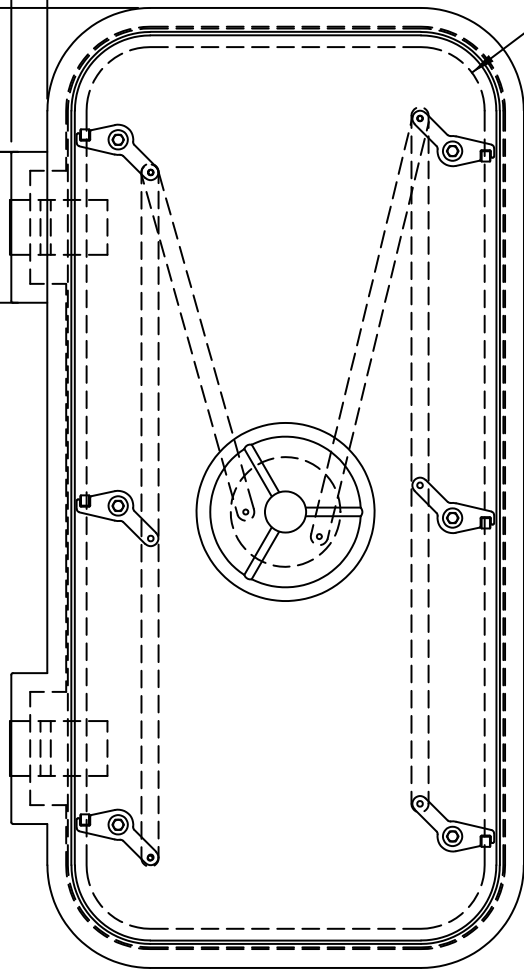


2 5/8" [67]

10 1/2" [267]

11" [279]

R4 5/8" [R117]
CLEAR OPENING



QUANTITY OF DOGS IS DETERMINED BY SIZE OF DOOR
SPECIFY ALUMINUM, STEEL, OR STAINLESS STEEL CONSTRUCTION.



TITLE:
FLUSH
WATERTIGHT DOOR

MODEL NO.
PCM-4070-C

SCALE: NONE SHEET: 1 OF: 1

REV